



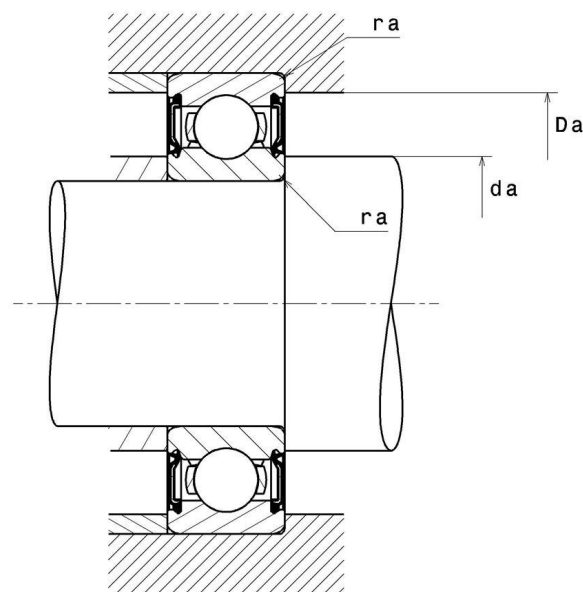
## Technical data

### 6806JRLU/5K

Single row deep groove ball bearings

Deep groove ball bearing, radial contact, pressed steel cage, contact seals on both sides

#### VISUAL (S)



# 6806JRLLU/5K

Single row deep groove ball bearings

## PRODUCT DEFINITION

<b>Brand</b>	NTN
<b>d - Internal diameter</b>	30 mm
<b>D - External diameter</b>	42 mm
<b>B - Bearing/Inner ring width</b>	7 mm
<b>rs - Min fillet radius</b>	0,3 mm
<b>Radial clearance class</b>	CN
<b>Mass</b>	0,026 kg

## PRODUCT PERFORMANCE

<b>C - Dynamic load</b>	5,2 kN
<b>C0 - Static load</b>	3,65 kN
<b>Cu - Fatigue limit load</b>	0,244 kN
<b>f0 - Coefficient</b>	16.5
<b>N lim - Grease lubrication limit speed</b>	8800 tr/min
<b>Tmin - Min operating temperature</b>	-25 °C
<b>Tmax - Max operating temperature</b>	110 °C

## ABUTMENT

<b>da min - Min shoulder diameter IR</b>	32 mm
<b>da max - Max shoulder diameter IR</b>	33 mm
<b>Da max - Max shoulder diameter OR</b>	40 mm
<b>ra max - Max shaft &amp; housing fillet radius</b>	0,3 mm



**NTN Europe**

1 rue des Usines · BP 2017 · 74010 Annecy Cedex · France · Tel. +33 (0)4 50 65 30 00  
S.A. au capital de 322 639 919 € · RCS ANNECY B 325 821 072 · Id. Fiscale : FR 48 325 821 072  
SIRET 325 821 072 00015 · Code APE 2815 Z · Code NACE 28.15

INDUSTRY CALCUL FACTORS

Equivalent dynamic radial load

$P = X.F_r + Y.F_a$

$\frac{f_0 F_a}{C_0}$	e	Fa / Fr ≤ e		Fa / Fr > e	
		X	Y	X	Y
0.172	0.19	1	0	0.56	2.3
0.345	0.22				1.99
0.689	0.26				1.71
1.03	0.28				1.55
1.38	0.3				1.45
2.07	0.34				1.31
3.45	0.38				1.15
5.17	0.42				1.04
6.89	0.44				1

Equivalent static radial load

$P_0 = X_0.F_r + Y_0.F_a$

$X_0$	$Y_0$
0.6	0.5

For single or DT bearing arrangement :

If  $P_0 < F_r$ , then use  $P_0 = F_r$

