



FAG

3202-BD-XL-2HRS

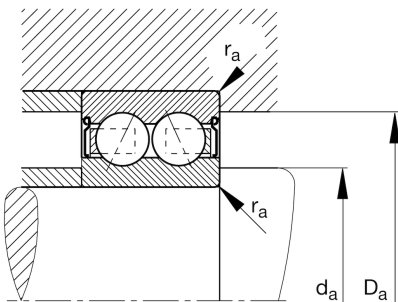
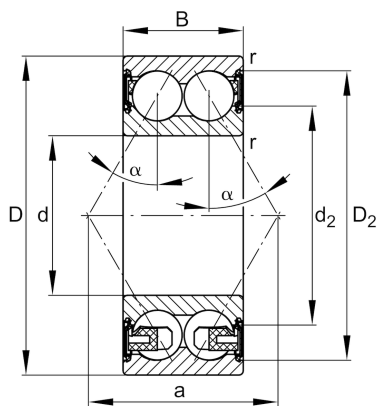
Angular contact ball bearing

Angular contact ball bearing 32.-BD-XL-2HRS, double row, X-life, seals, steel sheet metal cage



X-life

Technical information



n.r.

	D	Design variant
≈m	0,066 kg	Weight

Main Dimensions & Performance Data

d	15 mm	Bore diameter
D	35 mm	Outside diameter
B	15,9 mm	Width
C _r	12.600 N	Basic dynamic load rating, radial
C _{0r}	7.400 N	Basic static load rating, radial
C _{ur}	520 N	Fatigue load limit, radial
n _G	16.700 1/min	Limiting speed

Mounting dimensions

d _{a min}	19,2 mm	Minimum diameter shaft shoulder
D _{a max}	30,8 mm	Maximum diameter of housing shoulder
r _{a max}	0,6 mm	Maximum fillet radius

Dimensions

r _{min}	0,6 mm	Minimum chamfer dimension
D ₁	29,35 mm	Shoulder diameter outer ring
D ₂	31,13 mm	Caliber diameter outer ring
d ₁	22,2 mm	Shoulder diameter inner ring
d ₂	20,96 mm	Caliber diameter inner ring
a	20,7 mm	Distance between the apexes of the pressure cones
α	30 °	Contact angle



[View product details on medias](#)

12.09.2024, 10:22:24 CEST

SCHAEFFLER

Temperature range

T _{min}	-20 °C	Operating temperature min.
T _{max}	100 °C	Operating temperature max.