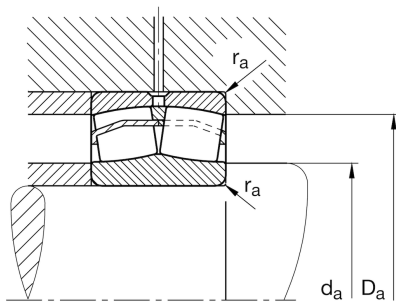
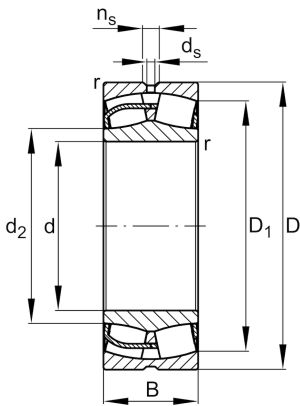
**24134-BE-XL**

## Spherical Roller Bearing

Spherical roller bearing 241..-BE-XL,  
symmetric with rib washer

## Technical information

**Main Dimensions & Performance Data**

d	170 mm	Bore diameter
D	280 mm	Outside diameter
B	109 mm	Width
$C_r$	1.260.000 N	Basic dynamic load rating, radial
$C_{0r}$	1.900.000 N	Basic static load rating, radial
$C_{ur}$	184.000 N	Fatigue load limit, radial
$n_G$	2.110 1/min	Limiting speed
$n_{gr}$	1.060 1/min	Reference speed
$\approx m$	26,218 kg	Weight

**Mounting dimensions**

$d_{a \min}$	182 mm	Minimum diameter shaft shoulder
$D_{a \max}$	268 mm	Maximum diameter of housing shoulder
$r_{a \max}$	2,1 mm	Maximum recess radius

**Dimensions**

$r_{\min}$	2,1 mm	Minimum chamfer dimension
$D_1$	240 mm	Bore diameter outer ring
$d_2$	194,1 mm	Raceway diameter of the inner ring
$d_s$	4,8 mm	Diameter lubrication hole
$n_s$	9,5 mm	Width of lubricating groove

**Temperature range**

$T_{\min}$	-30 °C	Operating temperature min.
$T_{\max}$	200 °C	Operating temperature max.



[View product details on medias](#)

07.11.2024, 14:39:37 CET

**SCHAEFFLER**

### Calculation factors

e	0,36	Limiting value of Fa/Fr for the applicability of diff. Values of factors X and Y
Y <sub>1</sub>	1,9	Dynamic axial load factor
Y <sub>2</sub>	2,83	Dynamic axial load factor
Y <sub>0</sub>	1,86	Static axial load factor