

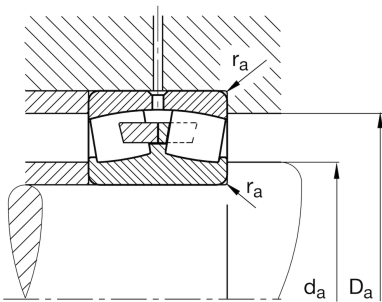
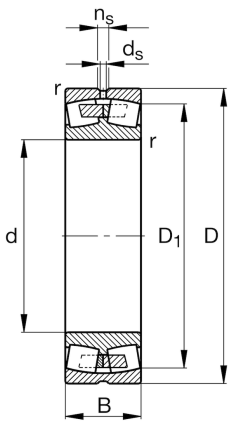
**FAG****23232-E1A-XL-M**

Spherical Roller Bearing

Spherical roller bearings 232...-E1A, main dimensions to DIN 635-2

X-life

Technical information

**Main Dimensions & Performance Data**

d	160 mm	Bore diameter
D	290 mm	Outside diameter
B	104 mm	Width
C_r	1.460.000 N	Basic dynamic load rating, radial
C_{0r}	1.910.000 N	Basic static load rating, radial
C_{ur}	150.000 N	Fatigue load limit, radial
n_G	2.210 1/min	Limiting speed
n_{gr}	1.280 1/min	Reference speed
$\approx m$	29,643 kg	Weight

Mounting dimensions

$d_{a \min}$	174 mm	Minimum diameter shaft shoulder
$D_{a \max}$	276 mm	Maximum diameter of housing shoulder
$r_{a \max}$	2,5 mm	Maximum recess radius

Dimensions

r_{\min}	3 mm	Minimum chamfer dimension
D_1	249,3 mm	Bore diameter outer ring
d_s	8 mm	Diameter lubrication hole
n_s	15 mm	Width of lubricating groove

Temperature range

T_{\min}	-30 °C	Operating temperature min.
T_{\max}	200 °C	Operating temperature max.



[View product details on medias](#)

07.11.2024, 14:36:20 CET

SCHAEFFLER

Calculation factors

e	0,34	Limiting value of Fa/Fr for the applicability of diff. Values of factors X and Y
Y ₁	2	Dynamic axial load factor
Y ₂	2,98	Dynamic axial load factor
Y ₀	1,96	Static axial load factor