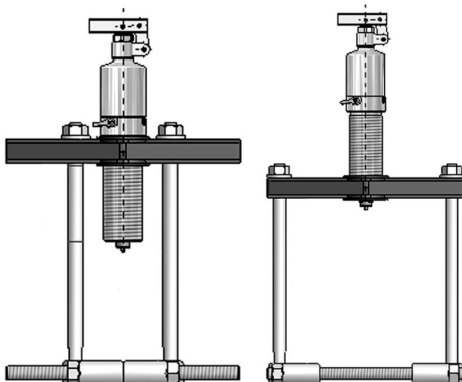
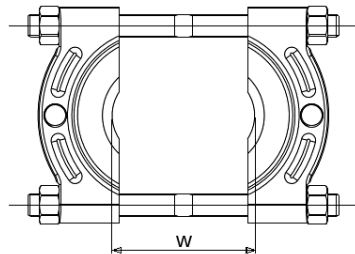
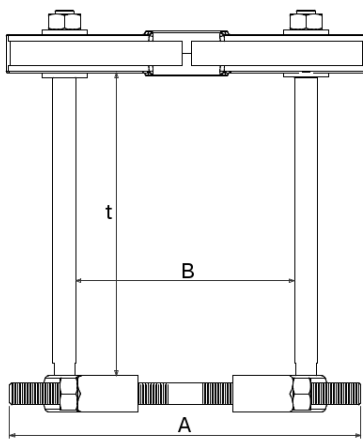


**ACC-SET-HP43-HSP43**

Bearing splitter set

BETEX Puller for gentle dismounting of complete bearings, bearing inner rings and other components so that the pulling force is not transmitted via moving parts. The part to be dismounted must be well accessible radial and axial.

## Technical information

**Technical data**

$w_{\min}$	12 mm	Grip width, min.
$w_{\max}$	70 mm	Grip width, max.
$t_{\max}$	224 mm	Grip depth, max.
A	163 mm	
$B_{\min}$	100 mm	
$B_{\max}$	145 mm	
$F_{Z \max}$	35 kN	max. permissible pulling force
$\approx m$	7,5 kg	Weight

**Additional information**

with the pump/cylinder	Usability
unit of an HP/HSP	
puller	
1 puller bridge,	Scope of delivery
2 connection rods,	
1 set puller plates,	
carrying case	



View product details on medias

19.03.2024, 09:16:57 CET

**SCHAEFFLER**

