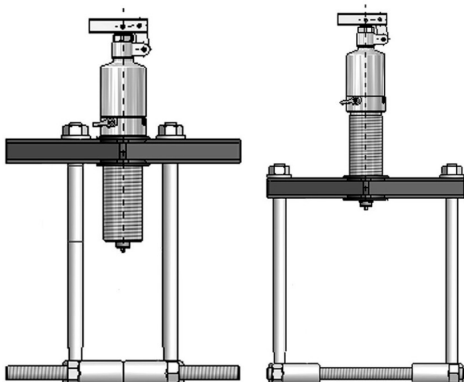
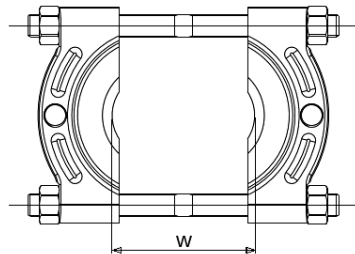
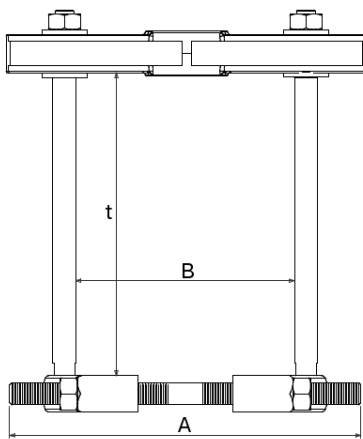


**ACC-SET-HP123-HSP123-HXP123**

Bearing splitter set

BETEX Puller for gentle dismounting of complete bearings, bearing inner rings and other components so that the pulling force is not transmitted via moving parts. The part to be dismounted must be well accessible radial and axial.

Technical information

**Technical data**

w_{\min}	40 mm	Grip width, min.
w_{\max}	225 mm	Grip width, max.
t_{\max}	298 mm	Grip depth, max.
A	360 mm	
B_{\min}	140 mm	
B_{\max}	310 mm	
$F_{Z \max}$	110 kN	max. permissible pulling force
$\approx m$	21 kg	Weight

Additional information

with the pump/cylinder	Usability
unit of an HP/HSP/ HXP puller	
1 puller bridge, 2 connection rods, 1 set puller plates, carrying case	Scope of delivery



View product details on medias

19.03.2024, 09:10:22 CET

SCHAEFFLER

