

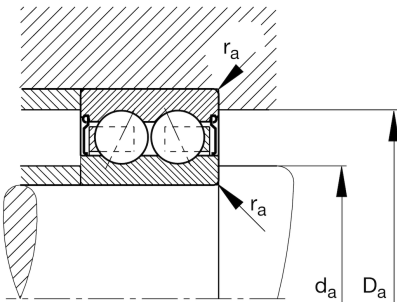
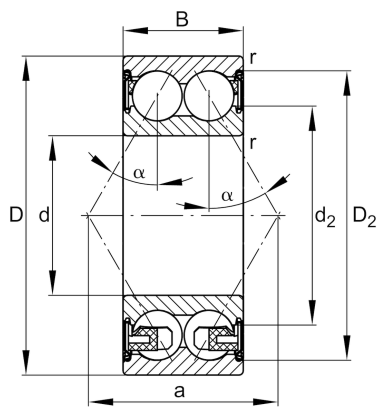
**FAG****3311-BD-XL-2Z**

Angular contact ball bearing

Angular contact ball bearing 33.-BD-XL-2Z, double row, X-life, shields, steel sheet metal cage

**X-life**

## Technical information



n.r.

	D	Design variant
≈m	2,34 kg	Weight

**Main Dimensions & Performance Data**

d	55 mm	Bore diameter
D	120 mm	Outside diameter
B	49,2 mm	Width
C <sub>r</sub>	116.000 N	Basic dynamic load rating, radial
C <sub>0r</sub>	88.000 N	Basic static load rating, radial
C <sub>ur</sub>	6.100 N	Fatigue load limit, radial
n <sub>G</sub>	4.350 1/min	Limiting speed
n <sub>gr</sub>	5.900 1/min	Reference speed

**Mounting dimensions**

d <sub>a min</sub>	66 mm	Minimum diameter shaft shoulder
D <sub>a max</sub>	109 mm	Maximum diameter of housing shoulder
r <sub>a max</sub>	2 mm	Maximum fillet radius

**Dimensions**

r <sub>min</sub>	2 mm	Minimum chamfer dimension
D <sub>1</sub>	103,3 mm	Shoulder diameter outer ring
D <sub>2</sub>	106,78 mm	Caliber diameter outer ring
d <sub>1</sub>	78,77 mm	Shoulder diameter inner ring
d <sub>2</sub>	76,35 mm	Caliber diameter inner ring
a	71,4 mm	Distance between the apexes of the pressure cones
α	30 °	Contact angle



[View product details on medias](#)

12.09.2024, 10:19:11 CEST

**SCHAEFFLER**

### Temperature range

T <sub>min</sub>	-20 °C	Operating temperature min.
T <sub>max</sub>	120 °C	Operating temperature max.