



FAG

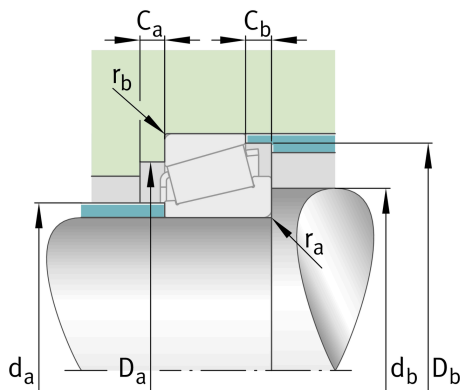
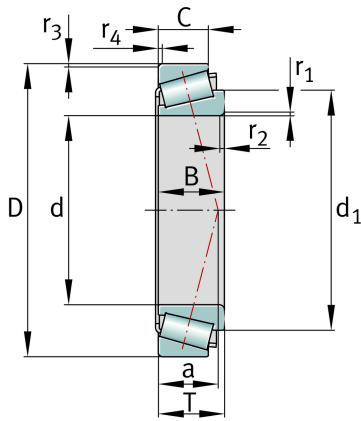
32012-X-H

Tapered roller bearing

Schaeffler ID:
0956396830000

Tapered roller bearings 320, main dimensions to DIN ISO 355 / DIN 720, separable, adjusted or in pairs

Technical information

**Main Dimensions & Performance Data**

| | | |
|-------------|-------------|-----------------------------------|
| d | 60 mm | Bore diameter |
| D | 95 mm | Outside diameter |
| B | 23 mm | Width, inner ring |
| C | 17,5 mm | Width, outer ring |
| T | 23 mm | Width, total |
| C_r | 82.000 N | Basic dynamic load rating, radial |
| C_{0r} | 123.000 N | Basic static load rating, radial |
| C_{ur} | 15.500 N | Fatigue load limit, radial |
| n_G | 5.840 1/min | Limiting speed |
| n_{gr} | 4.400 1/min | Thermal speed rating |
| $\approx m$ | 0,61 kg | Weight |

Mounting dimensions

| | | |
|--------------|--------|--------------------------------------|
| $d_{a \max}$ | 67 mm | Maximum diameter of shaft shoulder |
| $d_{b \min}$ | 67 mm | Minimum diameter of shaft shoulder |
| $D_{a \min}$ | 85 mm | Minimum diameter of housing shoulder |
| $D_{a \max}$ | 88 mm | Maximum diameter of housing shoulder |
| $D_{b \min}$ | 91 mm | Minimum diameter of housing shoulder |
| $C_{a \min}$ | 4 mm | Minimum axial space |
| $C_{b \min}$ | 5,5 mm | Minimum axial space |
| $r_{a \max}$ | 1,5 mm | Maximum fillet radius of shaft |
| $r_{b \max}$ | 1,5 mm | Maximum fillet radius of housing |

Dimensions

| | | |
|-----------------------|--------|---|
| $r_{1,2 \text{ min}}$ | 1,5 mm | Minimum chamfer dimension of inner ring back face |
| $r_{3,4 \text{ min}}$ | 1,5 mm | Minimum chamfer dimension of outer ring back face |
| a | 21 mm | Distance between the apexes of the pressure cones |
| d_1 | 82 mm | Guidance rib diameter of inner ring |

Temperature range

| | | |
|------------------|--------|----------------------------|
| T_{min} | -30 °C | Operating temperature min. |
| T_{max} | 120 °C | Operating temperature max. |

Calculation factors

| | | |
|-------|------|--|
| e | 0,43 | Limiting value of F_a/F_r for the applicability of diff. Values of factors X and Y |
| Y | 1,39 | Dynamic axial load factor |
| Y_0 | 0,77 | Static axial load factor |

Additional information

| | | |
|--|---------|--|
| | T4CC060 | Comparative designation to ISO 10317 and ISO 355 |
|--|---------|--|