



FAG

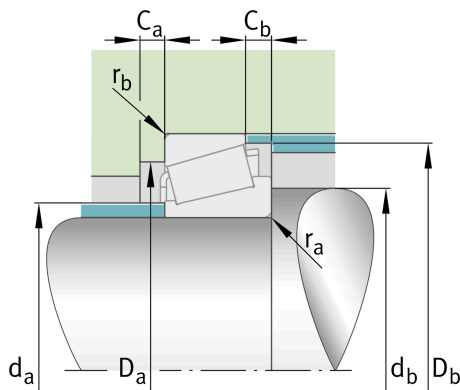
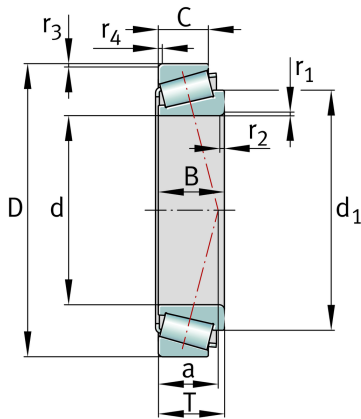
30205-H

Tapered roller bearing

Schaeffler ID:
0952028540000

Tapered roller bearings 302, main dimensions to DIN ISO 355 / DIN 720, separable, adjusted or in pairs

Technical information

**Main Dimensions & Performance Data**

d	25 mm	Bore diameter
D	52 mm	Outside diameter
B	15 mm	Width, inner ring
C	13 mm	Width, outer ring
T	16,25 mm	Width, total
C_r	30.900 N	Basic dynamic load rating, radial
C_{0r}	35.000 N	Basic static load rating, radial
C_{ur}	4.000 N	Fatigue load limit, radial
n_G	11.920 1/min	Limiting speed
n_{gr}	9.100 1/min	Thermal speed rating
$\approx m$	160 g	Weight

Mounting dimensions

$d_{a \max}$	31 mm	Maximum diameter of shaft shoulder
$d_{b \min}$	31 mm	Minimum diameter of shaft shoulder
$D_{a \min}$	44 mm	Minimum diameter of housing shoulder
$D_{a \max}$	46 mm	Maximum diameter of housing shoulder
$D_{b \min}$	48 mm	Minimum diameter of housing shoulder
$C_{a \min}$	2 mm	Minimum axial space
$C_{b \min}$	3 mm	Minimum axial space
$r_{a \max}$	1 mm	Maximum fillet radius of shaft
$r_{b \max}$	1 mm	Maximum fillet radius of housing

Dimensions

$r_{1,2 \text{ min}}$	1 mm	Minimum chamfer dimension of inner ring back face
$r_{3,4 \text{ min}}$	1 mm	Minimum chamfer dimension of outer ring back face
a	13 mm	Distance between the apexes of the pressure cones
d_1	39,5 mm	Guidance rib diameter of inner ring

Temperature range

T_{min}	-30 °C	Operating temperature min.
T_{max}	120 °C	Operating temperature max.

Calculation factors

e	0,37	Limiting value of F_a/F_r for the applicability of diff. Values of factors X and Y
Y	1,6	Dynamic axial load factor
Y_0	0,88	Static axial load factor

Additional information

	T3CC025	Comparative designation to ISO 10317 and ISO 355
--	---------	--