



FAG

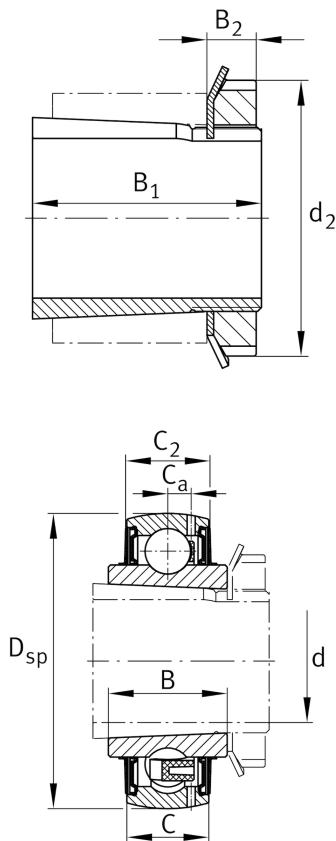
**UK208**

Radial insert ball bearing

Schaeffler ID:  
0705800570000

Radial insert ball bearings UK, spherical outer ring, location by adapter sleeve, RSR seals on both sides

## Technical information

**Main Dimensions & Performance Data**

d	35 mm	Bore diameter
$D_{SP}$	80 mm	Outside diameter
B	31 mm	Width
$B_1$	46 mm	Locking collar total width
$C_r$	34.500 N	Basic dynamic load rating, radial
$C_{0r}$	19.800 N	Basic static load rating, radial
$C_{ur}$	1.030 N	Fatigue load limit, radial
$\approx m$	0,7 kg	Weight

**Dimensions**

C	21 mm	Width, outer ring
$C_2$	21,6 mm	Sealing total width
$C_a$	6,2 mm	Distance to lubrication hole
$d_3$	58 mm	Outside diameter locking collar/locknut
$B_2$	10 mm	Width nut and lock

**Temperature range**

$T_{min}$	-20 °C	Operating temperature min.
$T_{max}$	100 °C	Operating temperature max.

**Calculation factors**

$f_0$	13,6	Calculation factor
-------	------	--------------------

**Additional information**

H2308-J30QH	Adapter sleeve
KM8	Locknut
MB8	Fuse
H.H2308	Sleeve