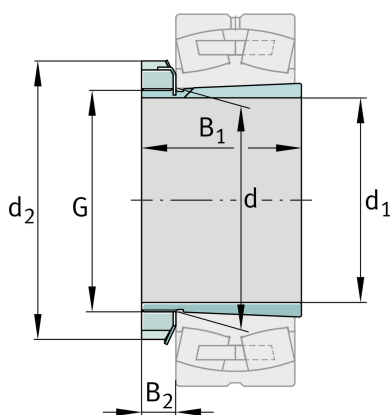
**FAG****H3040**

Adapter sleeve

Schaeffler ID:
0167310000000Adapter sleeve H, accessory rolling
bearing, complete, mechanical, FP

Technical information

**Main Dimensions & Performance Data**

d_1	180 mm	bore diameter
G	M200x3	Thread
B_1	120 mm	sleeve length
$\approx m$	9,558 kg	Weight

Dimensions

d	200 mm	Bore diameter bearing
d_2	240 mm	Outside diameter nut
B_2	31,5 mm	Width nut and lock

Additional information

	KML40	Locknut
	MBL40	Fuse
	1:12	Taper