



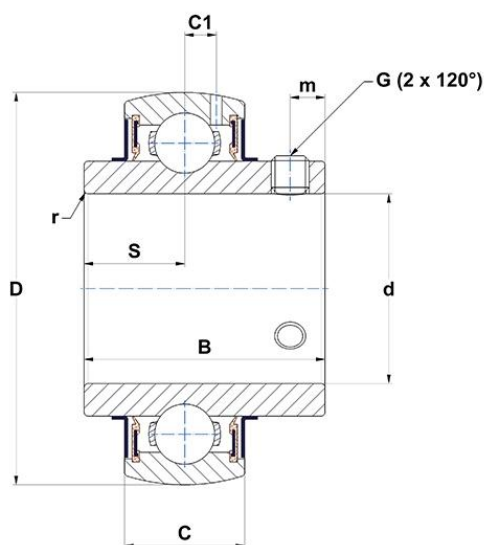
Technical data

SUC205

Insert bearings

Stainless steel insert, spherical outer diameter with locking pin, fixing by socket set screw, seal with slinger, food grease

VISUAL (S)



PRODUCT DEFINITION

Brand	SNR
B - Width of Inner Ring	34,1 mm
C - Width of Outer Ring	17 mm
C1 - Distance center of OR to center of lubrication zone	3,9 mm
d - Shaft diameter	25 mm
D - Outer diameter of OR	52 mm
G - Set screw size	M6x1
m - Distance to set screw	5 mm

PRODUCT DEFINITION

r - Radius Inner Ring	0.5
S - Distance front side/bearing centre	14,3 mm
f0 - Factor	14
SW - Wrench size	3 mm

PRODUCT PERFORMANCE

C - Dynamic load rating	14 kN
C0 - Static load rating	7,8 kN
Operating temperature min.	-20 °C
Operating temperature max.	100 °C

OTHER FEATURES

Mass	0,19 kg
Recommended tightening torque for set screw	3.9 N-m

BEARING FREQUENCIES

BPFO - Characteristic outer ring frequency (60 rpm)	3.58178020565553 Hz
BPFI - Characteristic inner ring frequency (60 rpm)	5.41821979434447 Hz
FTF - Characteristic cage frequency (60 rpm)	0.39797557840617 Hz
BSF - Characteristic rolling element frequency (60 rpm)	4.69673855838714 Hz