



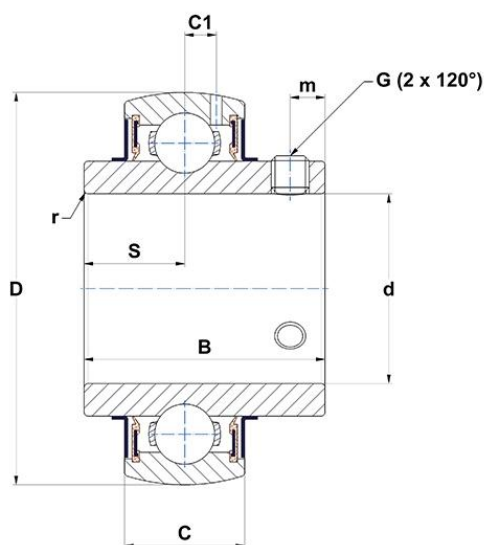
Technical data

SUC204

Insert bearings

Stainless steel insert, spherical outer diameter with locking pin, fixing by socket set screw, seal with slinger, food grease

VISUAL (S)



PRODUCT DEFINITION

Brand	SNR
B - Width of Inner Ring	31 mm
C - Width of Outer Ring	17 mm
C1 - Distance center of OR to center of lubrication zone	3,7 mm
d - Shaft diameter	20 mm
D - Outer diameter of OR	47 mm
G - Set screw size	M6x1
m - Distance to set screw	5 mm

PRODUCT DEFINITION

r - Radius Inner Ring	0.5
S - Distance front side/bearing centre	12,7 mm
f0 - Factor	13.2
SW - Wrench size	3 mm

PRODUCT PERFORMANCE

C - Dynamic load rating	12,8 kN
C0 - Static load rating	6,6 kN
Operating temperature min.	-20 °C
Operating temperature max.	100 °C

OTHER FEATURES

Mass	0,15 kg
Recommended tightening torque for set screw	3.9 N-m

BEARING FREQUENCIES

BPFO - Characteristic outer ring frequency (60 rpm)	3.06342182890855 Hz
BPFI - Characteristic inner ring frequency (60 rpm)	4.93657817109145 Hz
FTF - Characteristic cage frequency (60 rpm)	0.382927728613569 Hz
BSF - Characteristic rolling element frequency (60 rpm)	4.03672159895942 Hz