



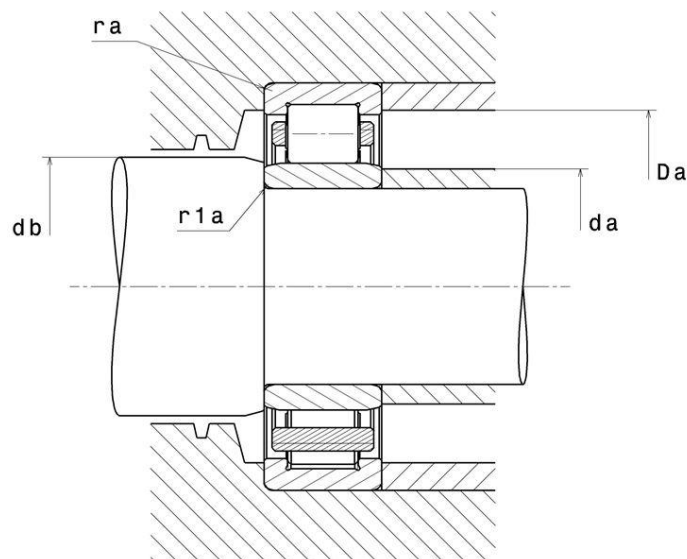
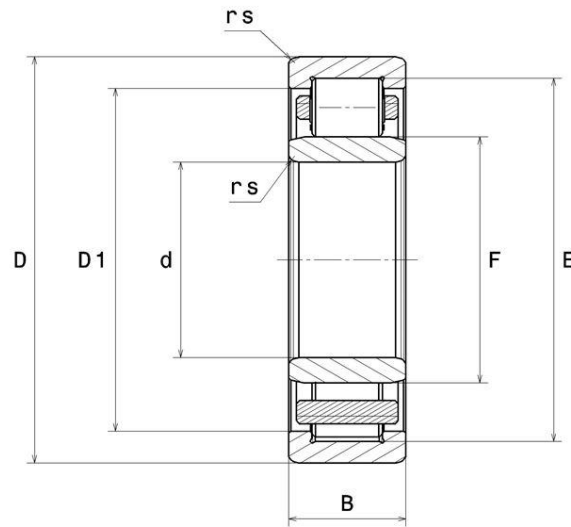
Technical data

NU304EG15

Single row cylindrical roller bearings

Single row cylindrical roller bearing, floating, separable, polyamide cage

VISUAL (S)



NU304EG15

Single row cylindrical roller bearings

PRODUCT DEFINITION

Brand	SNR
d - Internal diameter	20 mm
D - External diameter	52 mm
B - Bearing/Inner ring width	15 mm
E - Upper roller diameter	45,5 mm
F - Under roller diameter	27,5 mm
D1 - OR flange inner diameter	42,4 mm
rs - Min fillet radius	1,1 mm
r1s - Min fillet radius	0,6 mm
Radial clearance class	CN
Mass	0,14 kg

PRODUCT PERFORMANCE

C - Dynamic load	30,7 kN
C0 - Static load	26 kN
Cu - Fatigue limit load	3,15 kN
Nref - Reference thermal speed	12000 tr/min
Nlim - Mechanical Limit Speed	17000 tr/min
Nlim - Oil lubrication limit speed	14000 tr/min
Nlim - Grease lubrication limit speed	12000 tr/min
Tmin - Min operating temperature	-20 °C
Tmax - Max operating temperature	120 °C

BEARING FREQUENCIES

BPFO - Characteristic outer ring frequency (60 rpm)	3.767 Hz
------------------------------------------------------------	----------

NU304EG15

Single row cylindrical roller bearings

BEARING FREQUENCIES

BPFI - Characteristic inner ring frequency (60 rpm)	6.233 Hz
FTF - Characteristic cage frequency (60 rpm)	0.377 Hz
BSF - Characteristic rolling element frequency (60 rpm)	3.809 Hz

ABUTMENT

da min - Min shoulder diameter IR	24 mm
da max - Small face shoulder max diameter	27 mm
Da max - Max shoulder diameter OR	45,5 mm
ra max - Max fillet radius	1 mm
r1a - Max fillet radius	0,6 mm

NU304EG15

Single row cylindrical roller bearings

INDUSTRY CALCUL FACTORS

Equivalent dynamic radial load

$$P = Fr$$

Equivalent static radial load

$$P_0 = Fr$$