

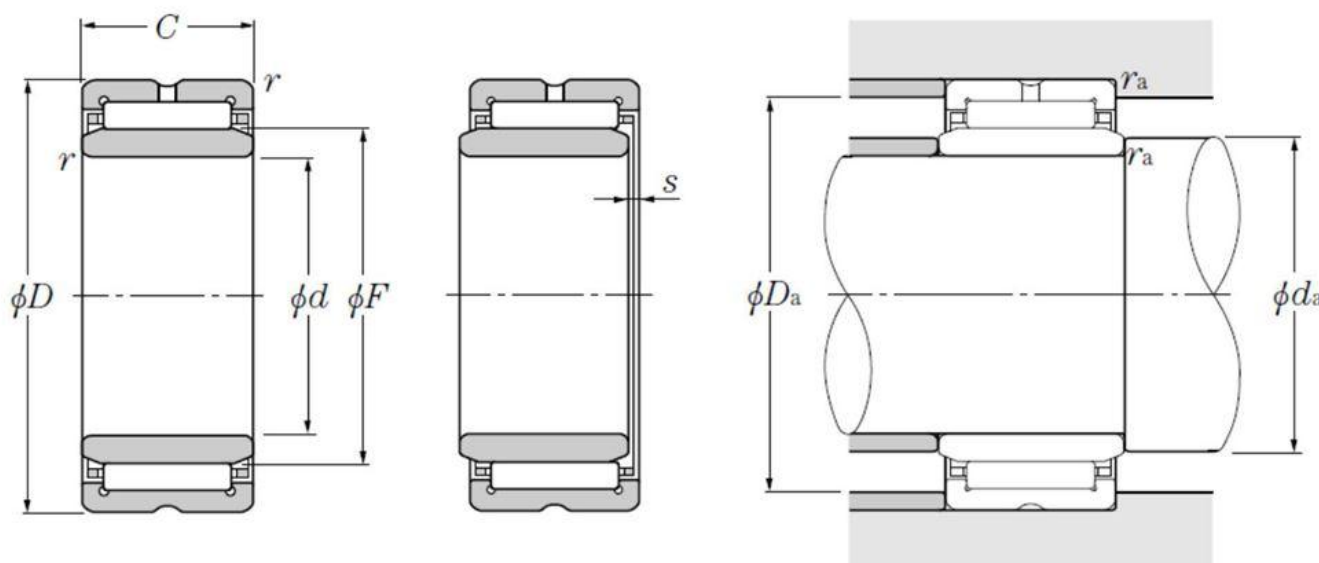
Technical data

NA59/22

Needle roller bearing, machined-ring, with inner ring

Needle roller bearing, machined-rings, with inner ring, double-side ribs, lubrication hole

VISUAL (S)



PRODUCT DEFINITION

Brand	NTN
d - Internal diameter	22 mm
D - External diameter	39 mm
C - Width of bearing, drawn cup or outer ring	23 mm
F - Under roller diameter	28 mm
rs - Min fillet radius	0,3 mm
s - Max axial offset	0,8 mm
Lubrication hole on outer ring	Yes

NA59/22

Needle roller bearing, machined-ring, with inner ring

PRODUCT DEFINITION

k - Hole diameter	2,5 mm
Lubrication hole on inner ring	No
Radial clearance class	CN
Precision class	P0
Mass	0,134 kg

PRODUCT PERFORMANCE

Cr - Dynamic load rating	26,4 kN
C0r - Static load rating	37,5 kN
Nlim - Grease lubrication limit speed	9500 tr/min
Nlim - Oil lubrication limit speed	14000 tr/min
Tmin - Min operating temperature	-20 °C
Tmax - Max operating temperature	120 °C

ABUTMENT

da min - Min shoulder diameter IR	24 mm
Da max - Max shoulder diameter OR	37 mm
ras max - Max shaft & housing fillet radius	0,3 mm