

FAG

53312

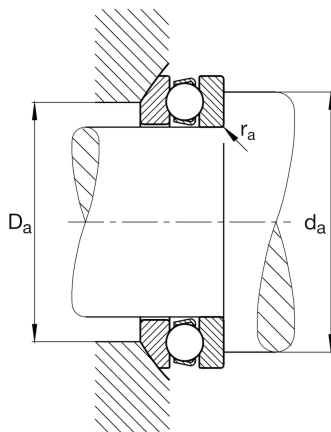
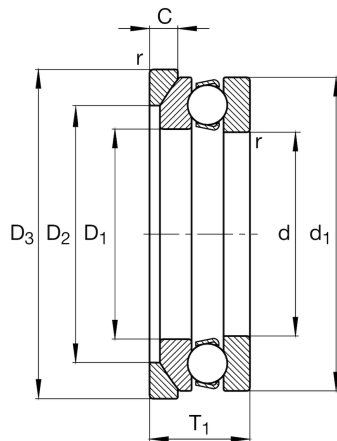
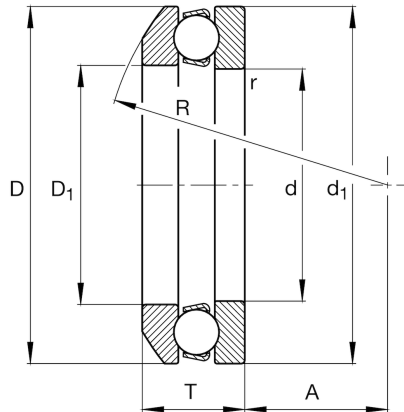
Axial deep groove ball bearing

Schaeffler ID:
0190071400000

Axial deep groove ball bearing 533, single direction, with spherical housing washer, steel sheet metal cage

Technical information

Main Dimensions & Performance Data



d	60 mm	Inner diameter shaft washer
D	110 mm	Outer diameter housing washer
T	38,3 mm	Height
C_a	101.000 N	Basic dynamic load rating, axial
C_{0a}	207.000 N	Basic static load rating, axial
C_{ua}	9.500 N	Fatigue load limit, axial
n_G	3.150 1/min	Limiting speed
n_{gr}	5.700 1/min	Reference speed
$\approx m$	1,372 kg	Weight

Mounting dimensions

$d_{a \min}$	90 mm	Minimum diameter shaft shoulder
$D_{a \max}$	85 mm	Maximum diameter of housing shoulder
$r_{a \max}$	1 mm	Maximum filled radius

Dimensions

r_{\min}	1,1 mm	Minimum chamfer dimension
D_1	62 mm	Inner diameter housing washer
d_1	110 mm	Outer diameter shaft washer
R	90 mm	Radius spherical housing washer
A	41 mm	Distance of the center point
T_1	42 mm	Height with seat washer

Temperature range

T_{\min}	-30 °C	Operating temperature min.
T_{\max}	150 °C	Operating temperature max.

Calculation factors

A	0,28	Minimum load factor
---	------	---------------------

Additional information

U312	Seat washer
------	-------------

