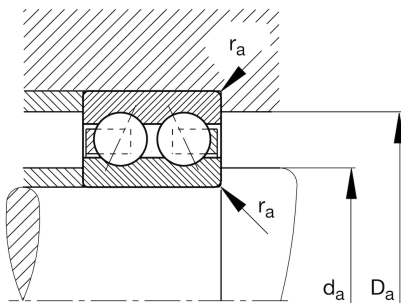
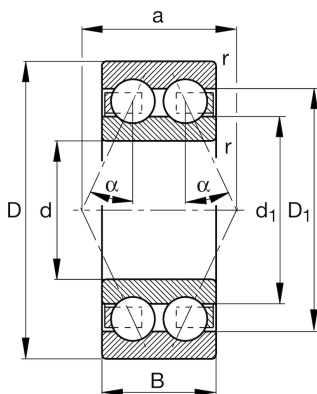


FAG**3314-BD-XL**

Angular contact ball bearing

Schaeffler ID:
0737991810000Angular contact ball bearing 33..-BD-XL,
double row, X-life, steel sheet metal cage**X-life**

Technical information

**Main Dimensions & Performance Data**

d	70 mm	Bore diameter
D	150 mm	Outside diameter
B	63,5 mm	Width
C_r	172.000 N	Basic dynamic load rating, radial
C_{0r}	135.000 N	Basic static load rating, radial
C_{ur}	8.900 N	Fatigue load limit, radial
n_G	4.550 1/min	Limiting speed
n_{gr}	5.100 1/min	Reference speed
	4,59 kg	{Weight}

Mounting dimensions

$d_{a \min}$	82 mm	Minimum diameter shaft shoulder
$D_{a \max}$	138 mm	Maximum diameter of housing shoulder
$r_{a \max}$	2,1 mm	Maximum fillet radius

Dimensions

r_{\min}	2,1 mm	Minimum chamfer dimension
D_1	129,2 mm	Shoulder diameter outer ring
d_1	100,3 mm	Shoulder diameter inner ring
a	89,4 mm	Distance between the apexes of the pressure cones
α	30 °	Contact angle

Temperature range

T_{\min}	-30 °C	Operating temperature min.
T_{\max}	150 °C	Operating temperature max.