



FAG

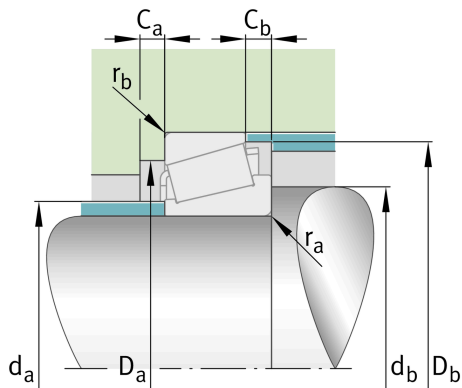
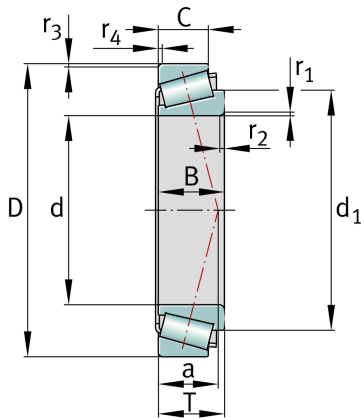
32238-XL

Tapered roller bearing

Schaeffler ID:
0873255000000Tapered roller bearings 322, main
dimensions to DIN ISO 355 / DIN 720,
separable, adjusted or in pairs

X-life

Technical information



Main Dimensions & Performance Data

d	190 mm	Bore diameter
D	340 mm	Outside diameter
B	92 mm	Width, inner ring
C	75 mm	Width, outer ring
T	97 mm	Width, total
C_r	1.340.000 N	Basic dynamic load rating, radial
C_{0r}	1.820.000 N	Basic static load rating, radial
C_{ur}	235.000 N	Fatigue load limit, radial
n_G	2.340 1/min	Limiting speed
n_{gr}	1.150 1/min	Thermal speed rating
$\approx m$	35,9 kg	Weight

Mounting dimensions

$d_{a \max}$	216 mm	Maximum diameter of shaft shoulder
$d_{b \min}$	207 mm	Minimum diameter of shaft shoulder
$D_{a \min}$	286 mm	Minimum diameter of housing shoulder
$D_{a \max}$	322 mm	Maximum diameter of housing shoulder
$D_{b \min}$	323 mm	Minimum diameter of housing shoulder
$C_{a \min}$	10 mm	Minimum axial space
$C_{b \min}$	22 mm	Minimum axial space
$r_{a \max}$	5 mm	Maximum fillet radius of shaft
$r_{b \max}$	4 mm	Maximum fillet radius of housing

Dimensions

$r_{1,2 \text{ min}}$	5 mm	Minimum chamfer dimension of inner ring back face
$r_{3,4 \text{ min}}$	4 mm	Minimum chamfer dimension of outer ring back face
a	81 mm	Distance between the apexes of the pressure cones
d_1	261 mm	Guidance rib diameter of inner ring

Temperature range

T_{min}	-30 °C	Operating temperature min.
T_{max}	200 °C	Operating temperature max.

Calculation factors

e	0,43	Limiting value of F_a/F_r for the applicability of diff. Values of factors X and Y
Y	1,38	Dynamic axial load factor
Y_0	0,76	Static axial load factor

Additional information

	T4GD190	Comparative designation to ISO 10317 and ISO 355
--	---------	--