

FAG

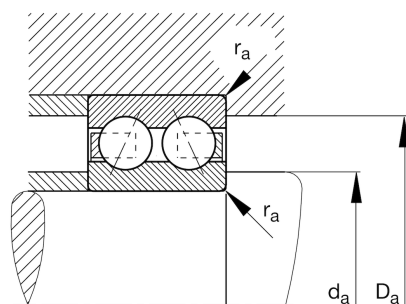
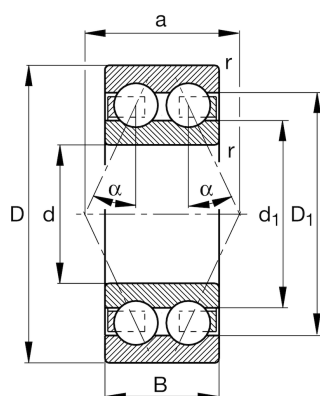
## 3208-BD-XL

Angular contact ball bearing

Schaeffler ID:  
0709370600000Angular contact ball bearing 32..-BD-XL,  
double row, X-life, steel sheet metal cage

X-life

## Technical information



## Main Dimensions &amp; Performance Data

d	40 mm	Bore diameter
D	80 mm	Outside diameter
B	30,2 mm	Width
$C_r$	51.000 N	Basic dynamic load rating, radial
$C_{0r}$	38.000 N	Basic static load rating, radial
$C_{ur}$	2.650 N	Fatigue load limit, radial
$n_G$	8.900 1/min	Limiting speed
$n_{gr}$	9.100 1/min	Reference speed
$\approx m$	0,593 kg	Weight

## Mounting dimensions

$d_{a \min}$	47 mm	Minimum diameter shaft shoulder
$D_{a \max}$	73 mm	Maximum diameter of housing shoulder
$r_{a \max}$	1 mm	Maximum fillet radius

## Dimensions

$r_{\min}$	1,1 mm	Minimum chamfer dimension
$D_1$	69,6 mm	Shoulder diameter outer ring
$d_1$	54,9 mm	Shoulder diameter inner ring
a	47,4 mm	Distance between the apexes of the pressure cones
$\alpha$	30 °	Contact angle

## Temperature range

$T_{\min}$	-30 °C	Operating temperature min.
$T_{\max}$	120 °C	Operating temperature max.