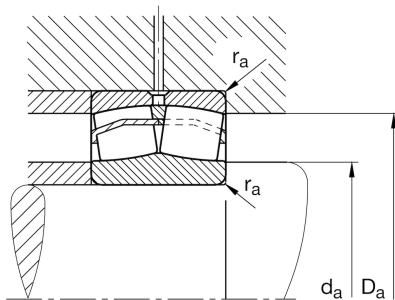
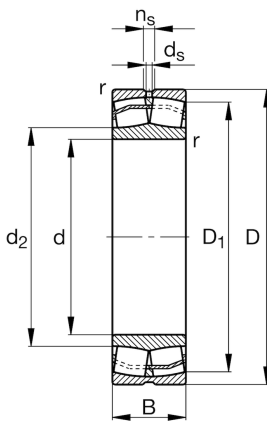
**23138-E1-XL-TVPB**

Spherical Roller Bearing

Spherical roller bearings 231...-E1, main dimensions to DIN 635-2

Technical information

**Main Dimensions & Performance Data**

d	190 mm	Bore diameter
D	320 mm	Outside diameter
B	104 mm	Width
C_r	1.610.000 N	Basic dynamic load rating, radial
C_{0r}	2.220.000 N	Basic static load rating, radial
C_{ur}	222.000 N	Fatigue load limit, radial
n_G	2.070 1/min	Limiting speed
n_{gr}	1.260 1/min	Reference speed
$\approx m$	32,142 kg	Weight

Mounting dimensions

$d_{a \min}$	204 mm	Minimum diameter shaft shoulder
$D_{a \max}$	306 mm	Maximum diameter of housing shoulder
$r_{a \max}$	2,5 mm	Maximum recess radius

Dimensions

r_{\min}	3 mm	Minimum chamfer dimension
D_1	281,6 mm	Bore diameter outer ring
d_2	217 mm	Raceway diameter of the inner ring
d_s	8 mm	Diameter lubrication hole
n_s	15 mm	Width of lubricating groove

Temperature range

T_{\min}	-30 °C	Operating temperature min.
T_{\max}	120 °C	Operating temperature max.



[View product details on medias](#)

07.11.2024, 14:34:43 CET

SCHAEFFLER

Calculation factors

e	0,3	Limiting value of Fa/Fr for the applicability of diff. Values of factors X and Y
Y ₁	2,28	Dynamic axial load factor
Y ₂	3,39	Dynamic axial load factor
Y ₀	2,23	Static axial load factor