



FAG

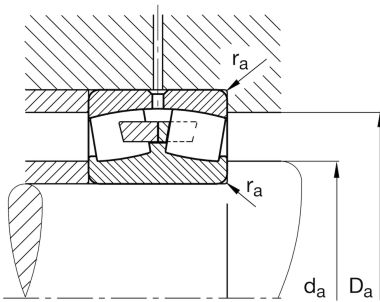
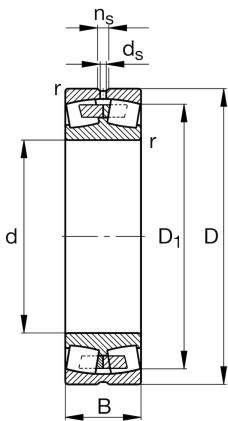
**23136-E1A-XL-M**

## Spherical Roller Bearing

Schaeffler ID:  
0190319390000Spherical roller bearings 231...-E1A, main  
dimensions to DIN 635-2

X-life

## Technical information

**Main Dimensions & Performance Data**

d	180 mm	Bore diameter
D	300 mm	Outside diameter
B	96 mm	Width
$C_r$	1.420.000 N	Basic dynamic load rating, radial
$C_{0r}$	1.950.000 N	Basic static load rating, radial
$C_{ur}$	199.000 N	Fatigue load limit, radial
$n_G$	2.230 1/min	Limiting speed
$n_{gr}$	1.350 1/min	Reference speed
$\approx m$	26,919 kg	Weight

**Mounting dimensions**

$d_{a \min}$	194 mm	Minimum diameter shaft shoulder
$D_{a \max}$	286 mm	Maximum diameter of housing shoulder
$r_{a \max}$	2,5 mm	Maximum recess radius

**Dimensions**

$r_{\min}$	3 mm	Minimum chamfer dimension
$D_1$	264,8 mm	Bore diameter outer ring
$d_s$	8 mm	Diameter lubrication hole
$n_s$	15 mm	Width of lubricating groove

**Temperature range**

$T_{\min}$	-30 °C	Operating temperature min.
$T_{\max}$	200 °C	Operating temperature max.

**Calculation factors**

e	0,29	Limiting value of Fa/Fr for the applicability of diff. Values of factors X and Y
Y <sub>1</sub>	2,32	Dynamic axial load factor
Y <sub>2</sub>	3,45	Dynamic axial load factor
Y <sub>0</sub>	2,26	Static axial load factor