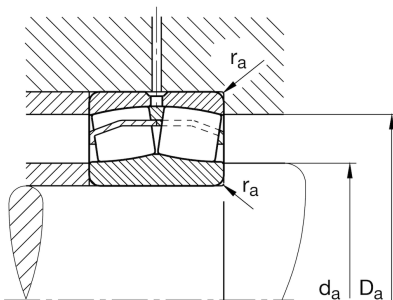
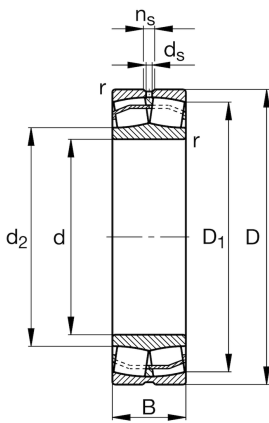


Technical information



Main Dimensions & Performance Data

d	140 mm	Bore diameter
D	210 mm	Outside diameter
B	53 mm	Width
C _r	570.000 N	Basic dynamic load rating, radial
C _{0r}	800.000 N	Basic static load rating, radial
C _{ur}	77.000 N	Fatigue load limit, radial
n _G	3.450 1/min	Limiting speed
n _{gr}	2.390 1/min	Reference speed
≈m	6,001 kg	Weight

Mounting dimensions

d _{a min}	148,8 mm	Minimum diameter shaft shoulder
D _{a max}	201,2 mm	Maximum diameter of housing shoulder
r _{a max}	2 mm	Maximum recess radius

Dimensions

r _{min}	2 mm	Minimum chamfer dimension
D ₁	192,3 mm	Bore diameter outer ring
d ₂	155,4 mm	Raceway diameter of the inner ring
d _s	4,8 mm	Diameter lubrication hole
n _s	9,5 mm	Width of lubricating groove

Temperature range

T _{min}	-30 °C	Operating temperature min.
T _{max}	120 °C	Operating temperature max.

Calculation factors

e	0,22	Limiting value of Fa/Fr for the applicability of diff. Values of factors X and Y
Y ₁	3,07	Dynamic axial load factor
Y ₂	4,57	Dynamic axial load factor
Y ₀	3	Static axial load factor