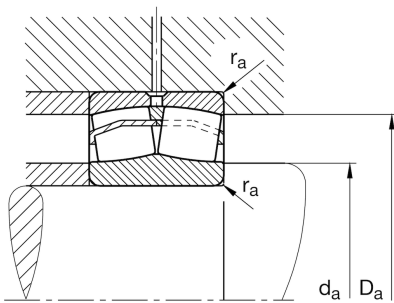
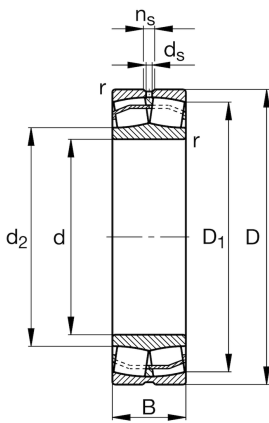


## Technical information



### Main Dimensions & Performance Data

d	120 mm	Bore diameter
D	180 mm	Outside diameter
B	46 mm	Width
$C_r$	430.000 N	Basic dynamic load rating, radial
$C_{0r}$	580.000 N	Basic static load rating, radial
$C_{ur}$	60.000 N	Fatigue load limit, radial
$n_G$	3.950 1/min	Limiting speed
$n_{gr}$	2.800 1/min	Reference speed
$\approx m$	3,827 kg	Weight

### Mounting dimensions

$d_{a \min}$	128,8 mm	Minimum diameter shaft shoulder
$D_{a \max}$	171,2 mm	Maximum diameter of housing shoulder
$r_{a \max}$	2 mm	Maximum recess radius

### Dimensions

$r_{\min}$	2 mm	Minimum chamfer dimension
$D_1$	164,7 mm	Bore diameter outer ring
$d_2$	133 mm	Raceway diameter of the inner ring
$d_s$	3,2 mm	Diameter lubrication hole
$n_s$	6,5 mm	Width of lubricating groove

### Temperature range

$T_{\min}$	-30 °C	Operating temperature min.
$T_{\max}$	120 °C	Operating temperature max.

**Calculation factors**

e	0,22	Limiting value of Fa/Fr for the applicability of diff. Values of factors X and Y
Y <sub>1</sub>	3,04	Dynamic axial load factor
Y <sub>2</sub>	4,53	Dynamic axial load factor
Y <sub>0</sub>	2,97	Static axial load factor