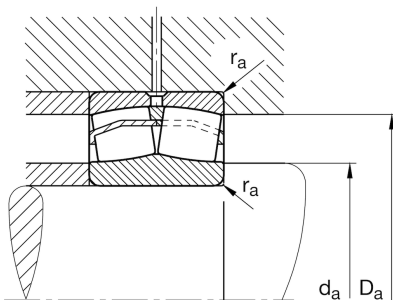
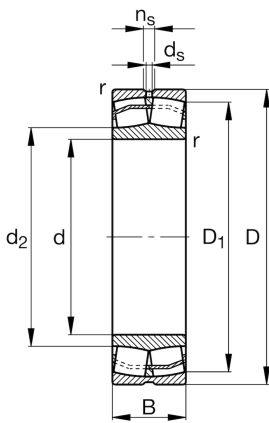
**22320-E1-XL**

Spherical Roller Bearing

Schaeffler ID:
0190008200000Spherical roller bearings 223...-E1, main
dimensions to DIN 635-2

Technical information

**Main Dimensions & Performance Data**

d	100 mm	Bore diameter
D	215 mm	Outside diameter
B	73 mm	Width
C _r	810.000 N	Basic dynamic load rating, radial
C _{0r}	920.000 N	Basic static load rating, radial
C _{ur}	77.000 N	Fatigue load limit, radial
n _G	3.300 1/min	Limiting speed
n _{gr}	2.380 1/min	Reference speed
≈m	13,12 kg	Weight

Mounting dimensions

d _{a min}	114 mm	Minimum diameter shaft shoulder
D _{a max}	201 mm	Maximum diameter of housing shoulder
r _{a max}	2,5 mm	Maximum recess radius

Dimensions

r _{min}	3 mm	Minimum chamfer dimension
D ₁	184,7 mm	Bore diameter outer ring
d ₂	130,2 mm	Raceway diameter of the inner ring
d _s	6,3 mm	Diameter lubrication hole
n _s	12,2 mm	Width of lubricating groove

Temperature range

T _{min}	-30 °C	Operating temperature min.
T _{max}	200 °C	Operating temperature max.

Calculation factors

e	0,33	Limiting value of Fa/Fr for the applicability of diff. Values of factors X and Y
Y ₁	2,03	Dynamic axial load factor
Y ₂	3,02	Dynamic axial load factor
Y ₀	1,98	Static axial load factor