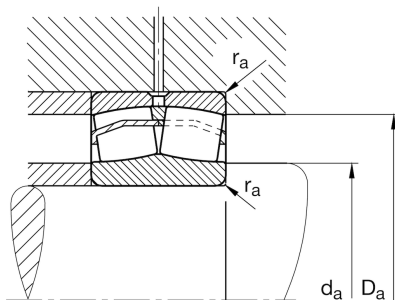
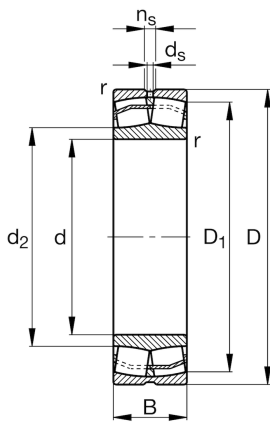


Technical information



Main Dimensions & Performance Data

d	90 mm	Bore diameter
D	190 mm	Outside diameter
B	64 mm	Width
C_r	610.000 N	Basic dynamic load rating, radial
C_{0r}	630.000 N	Basic static load rating, radial
C_{ur}	56.000 N	Fatigue load limit, radial
n_G	3.850 1/min	Limiting speed
n_{gr}	3.000 1/min	Reference speed
$\approx m$	8,528 kg	Weight

Mounting dimensions

$d_{a \min}$	104 mm	Minimum diameter shaft shoulder
$D_{a \max}$	176 mm	Maximum diameter of housing shoulder
$r_{a \max}$	2,5 mm	Maximum recess radius

Dimensions

r_{\min}	3 mm	Minimum chamfer dimension
D_1	162,5 mm	Bore diameter outer ring
d_2	110,2 mm	Raceway diameter of the inner ring
d_s	6,3 mm	Diameter lubrication hole
n_s	12,2 mm	Width of lubricating groove

Temperature range

T_{\min}	-30 °C	Operating temperature min.
T_{\max}	200 °C	Operating temperature max.

Calculation factors

e	0,33	Limiting value of Fa/Fr for the applicability of diff. Values of factors X and Y
Y ₁	2,03	Dynamic axial load factor
Y ₂	3,02	Dynamic axial load factor
Y ₀	1,98	Static axial load factor