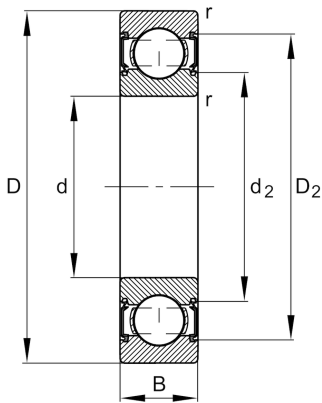


**FAG****6313-C-2HRS**

Deep groove ball bearing

Schaeffler ID:
0875367650000Deep groove ball bearing 63...-C-2HRS,
single row, Generation C, seals, steel
sheet metal cage

Technical information

**Main Dimensions & Performance Data**

d	65 mm	Bore diameter
D	140 mm	Outside diameter
B	33 mm	Width
C_r	101.000 N	Basic dynamic load rating, radial
C_{0r}	60.000 N	Basic static load rating, radial
C_{ur}	4.100 N	Fatigue load limit, radial
n_G	4.500 1/min	Limiting speed
	2,087 kg	{Weight}

Mounting dimensions

$d_{a \min}$	77 mm	Minimum diameter shaft shoulder
$D_{a \max}$	128 mm	Maximum diameter of housing shoulder
$r_{a \max}$	2,1 mm	Maximum fillet radius

Dimensions

r_{\min}	2,1 mm	Minimum chamfer dimension
D_2	121,4 mm	Caliber diameter outer ring
d_2	85,59 mm	Caliber diameter inner ring

Temperature range

T_{\min}	-20 °C	Operating temperature min.
T_{\max}	100 °C	Operating temperature max.

Calculation factors

f_0	13,2	Calculation factor
-------	------	--------------------

