



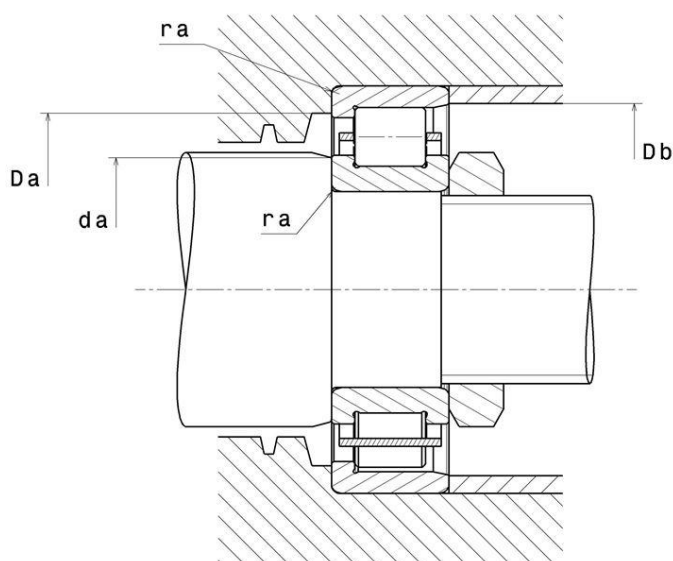
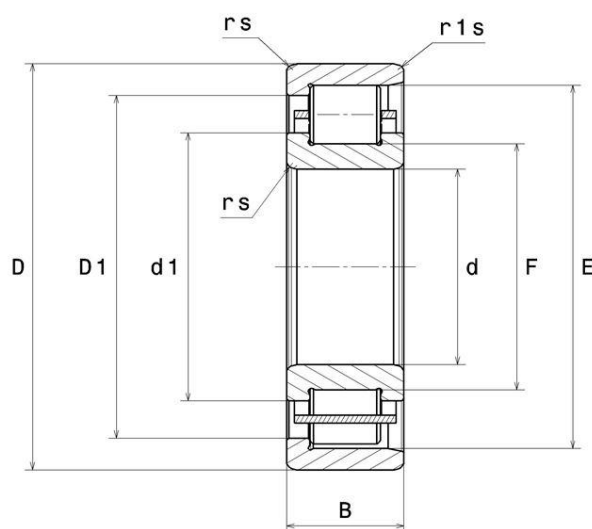
Technical data

NF208

Single row cylindrical roller bearings

Single row cylindrical roller bearing, single direction for axial loads, separable, pressed steel cage.

VISUAL (S)



PRODUCT DEFINITION

Brand	NTN
d - Internal diameter	40 mm
D - External diameter	80 mm
B - Bearing/Inner ring width	18 mm
E - Upper roller diameter	70 mm
F - Under roller diameter	50 mm
d1 - IR flange outer diameter	54,2 mm
rs - Min fillet radius	1,1 mm
r1s - Min fillet radius	1,1 mm
Radial clearance class	CN
Mass	0,402 kg

PRODUCT PERFORMANCE

C - Dynamic load	48,5 kN
C0 - Static load	43 kN
Cu - Fatigue limit load	5,25 kN
Nlim - Oil lubrication limit speed	11000 tr/min
Nlim - Grease lubrication limit speed	9400 tr/min
Tmin - Min operating temperature	-40 °C
Tmax - Max operating temperature	120 °C

ABUTMENT

da min - Min shoulder diameter IR	46,5 mm
Da max - Max shoulder diameter OR	73,5 mm
Db min - Small face shoulder min diameter	71 mm

NF208

Single row cylindrical roller bearings

ABUTMENT

ra max - Max fillet radius

1 mm

INDUSTRY CALCUL FACTORS

Equivalent dynamic radial load

$$P = Fr$$

Equivalent static radial load

$$Po = Fr$$