

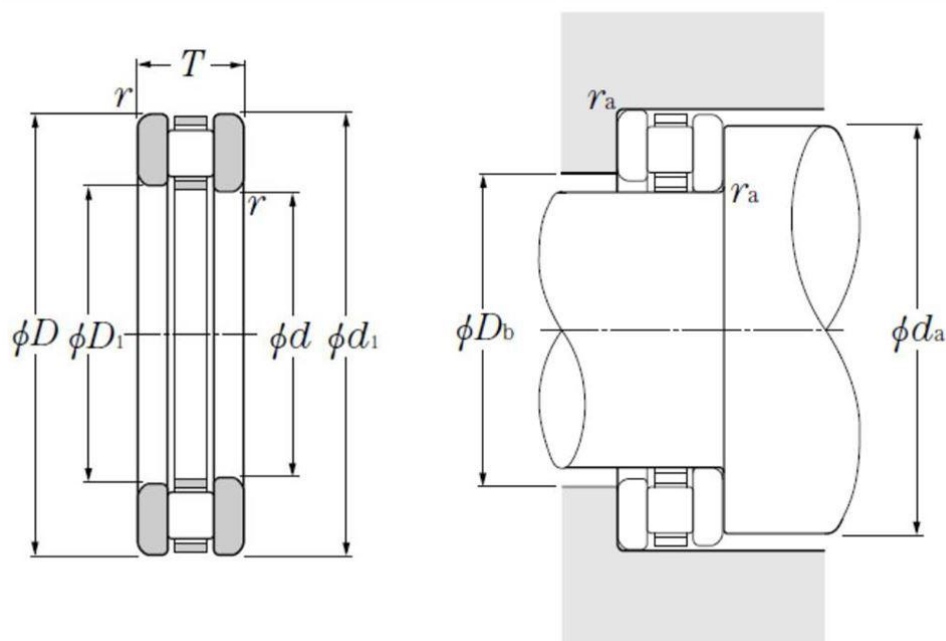
## Technical data

### 81216

Complete thrust bearing

Needle roller bearing, thrust cylindrical roller bearing, 812 series

### VISUAL (S)



### PRODUCT DEFINITION

<b>Brand</b>	NTN
<b>d - Bore diameter of support washer IR - WS</b>	80 mm
<b>D - Outside diameter of support washer OR - GS</b>	115 mm
<b>d1 - External diameter of support washer IR - WS</b>	115 mm
<b>D1 - Bore diameter bearing washer OR - GS</b>	85 mm
<b>T - Thrust bearing height</b>	28 mm
<b>Dw - Rolling element diameter</b>	11 mm
<b>Dc1 - Roller cage bore diameter</b>	80 mm

### PRODUCT DEFINITION

<b>Dc - Roller cage outer diameter</b>	115 mm
<b>rs - Min fillet radius</b>	1 mm
<b>Cage assembly reference</b>	K81216
<b>Bearing ring (inner ring) WS</b>	WS81216
<b>Bearing ring (outer ring) GS</b>	GS81216
<b>Ea - Rollers reference outer diameter</b>	108,4 mm
<b>Eb - Rollers reference inner diameter</b>	84,8 mm
<b>Mass</b>	0,95 kg
<b>Cage assembly mass</b>	0,25 kg
<b>Bearing ring (inner ring) WS mass</b>	0,35 kg
<b>Bearing ring (outer ring) GS mass</b>	0,35 kg
<b>Precision class</b>	P0

### PRODUCT PERFORMANCE

<b>Ca - Dynamic axial load rating</b>	143 kN
<b>C0a - Static axial load rating</b>	460 kN
<b>Cua - Limit axial load rating</b>	56 kN
<b>Nlim - Grease lubrication limit speed</b>	630 tr/min
<b>Nlim - Oil lubrication limit speed</b>	2500 tr/min
<b>Tmin - Min operating temperature</b>	-20 °C
<b>Tmax - Max operating temperature</b>	120 °C

### ABUTMENT

<b>da min - Min shoulder diameter IR</b>	106 mm
<b>Db max - Max OR shoulder diameter</b>	86 mm

# 81216

Complete thrust bearing

## ABUTMENT

**ras max - Max shaft & housing fillet radius**

1 mm