



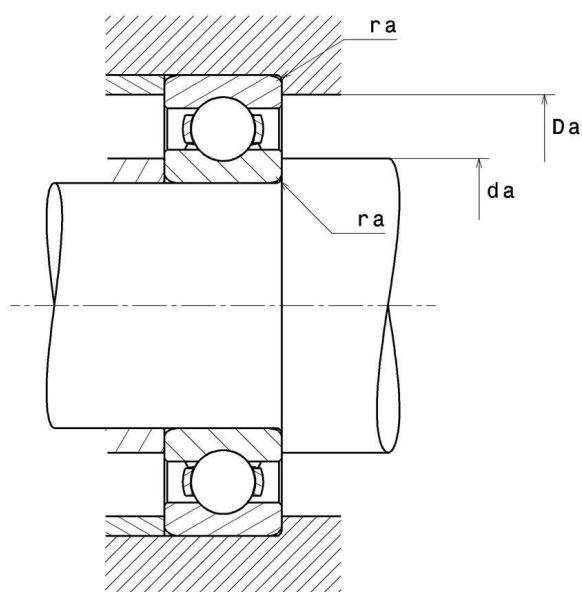
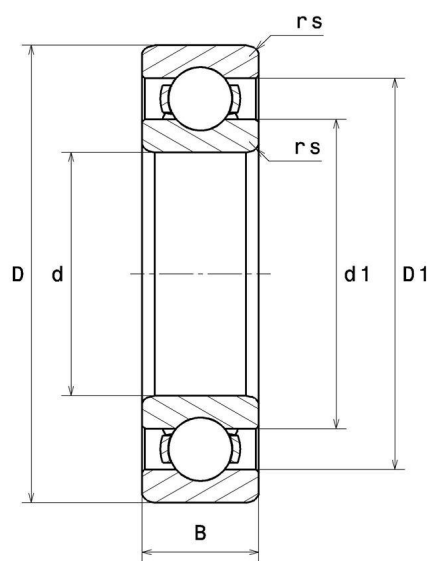
Technical data

6315C3

Single row deep groove ball bearings

Deep groove ball bearing, radial contact, pressed steel cage, open

VISUAL (S)



6315C3

Single row deep groove ball bearings

PRODUCT DEFINITION

Brand	NTN
d - Internal diameter	75 mm
D - External diameter	160 mm
B - Bearing/Inner ring width	37 mm
rs - Min fillet radius	2,1 mm
Radial clearance class	C3
Mass	3,02 kg

PRODUCT PERFORMANCE

C - Dynamic load	126 kN
C0 - Static load	77 kN
Cu - Fatigue limit load	5,55 kN
f0 - Coefficient	13.2
Nlim - Oil lubrication limit speed	5000 tr/min
Nlim - Grease lubrication limit speed	4300 tr/min
Tmin - Min operating temperature	-40 °C
Tmax - Max operating temperature	120 °C

ABUTMENT

da min - Min shoulder diameter IR	86 mm
Da max - Max shoulder diameter OR	149 mm
ra max - Max shaft & housing fillet radius	2 mm

INDUSTRY CALCUL FACTORS

Equivalent dynamic radial load

$$P = X.F_r + Y.F_a$$

$\frac{f_0 F_a}{C_0}$	e	Fa / Fr ≤ e		Fa / Fr > e	
		X	Y	X	Y
0.172	0.19	1	0	0.56	2.3
0.345	0.22				1.99
0.689	0.26				1.71
1.03	0.28				1.55
1.38	0.3				1.45
2.07	0.34				1.31
3.45	0.38				1.15
5.17	0.42				1.04
6.89	0.44				1

Equivalent static radial load

$$P_0 = X_0.F_r + Y_0.F_a$$

X_0	Y_0
0.6	0.5

For single or DT bearing arrangement:

If $P_0 < F_r$, then use $P_0 = F_r$