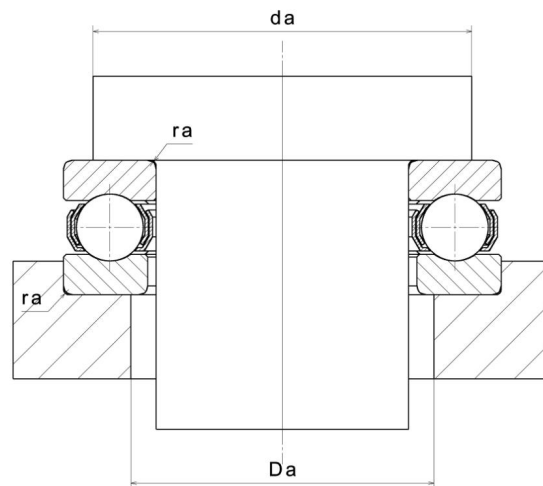
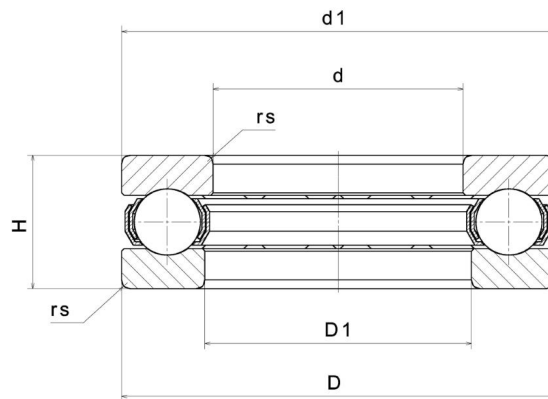


Technical data

51108

One direction thrust ball bearings

VISUAL (S)



PRODUCT DEFINITION

Brand	NTN
d - Internal diameter	40 mm
D - External diameter	60 mm
T - Thrust bearing height	13 mm
rs - Min fillet radius	0,6 mm
Mass	0,125 kg

PRODUCT PERFORMANCE

Ca - Dynamic axial load rating	26,9 kN
C0a - Static axial load rating	63 kN
Cua - Limit axial load rating	2,84 kN
Nlim - Oil lubrication limit speed	5000 tr/min
Nlim - Grease lubrication limit speed	3500 tr/min
Tmin - Min operating temperature	-40 °C
Tmax - Max operating temperature	120 °C

ABUTMENT

Da max - Max shoulder diameter OR	48 mm
da min - Min shoulder diameter IR	52 mm