

FAG

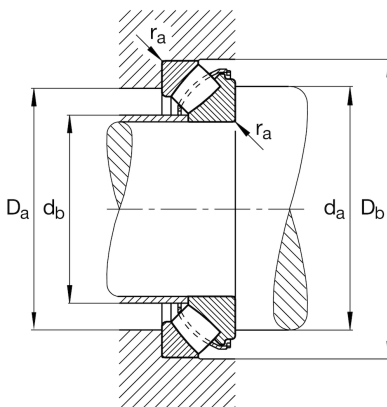
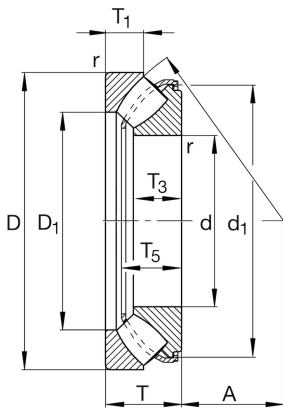
29328-E1-XL

Axial spherical roller bearing

Schaeffler ID:
0389998110000Axial spherical roller bearing 293..-E1-XL,
no flanging ring

X-life

Technical information

**Main Dimensions & Performance Data**

d	140 mm	Bore diameter
D	240 mm	Outside diameter
T	60 mm	Height
C_a	1.010.000 N	Basic dynamic load rating, axial
C_{0a}	2.900.000 N	Basic static load rating, axial
C_{ua}	365.000 N	Fatigue load limit, axial
n_G	2.900 1/min	Limiting speed
n_{gr}	1.490 1/min	Reference speed
	10 kg	{Weight}

Mounting dimensions

$d_{a \min}$	190 mm	Minimum diameter shaft shoulder
$D_{a \max}$	208 mm	Maximum diameter of housing shoulder
$D_{b \min}$	244 mm	Minimum bore diameter housing
$d_{b \max}$	154 mm	Maximum distance sleeve
$d_{b1 \max}$	149 mm	Maximum chamfer diameter of distance sleeve
$r_{a \max}$	2,1 mm	Maximum recess radius
	30 °	Angle of chamfer of the distance sleeve

Dimensions

D_1	177 mm	Bore diameter housing washer
d_1	220,6 mm	Rip diameter shaft washer
r_{\min}	2,1 mm	Minimum chamfer dimension
T_1	30 mm	Height of the housing washer
T_3	38,5 mm	Height of the shaft washer
T_5	53,5 mm	Distance shaft washer - cage
A	82 mm	Distance of the center point

Temperature range

T_{\min}	-30 °C	Operating temperature min.
T_{\max}	200 °C	Operating temperature max.

