



PHE40-XL

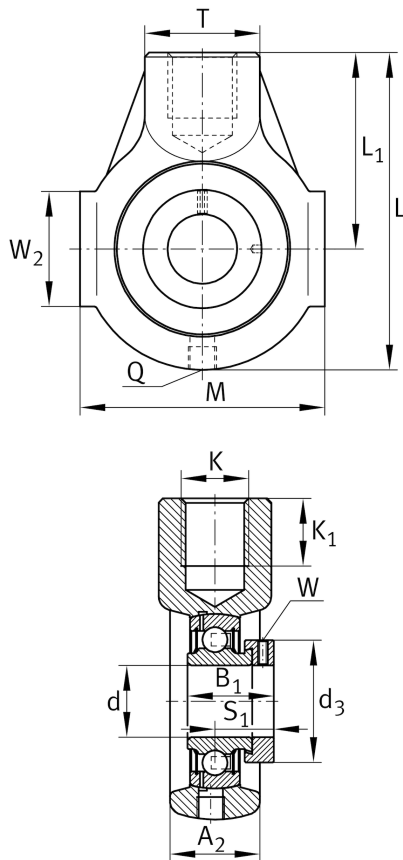
Take-up housing unit

Schaeffler ID:
0008408310000

Take-up housing units PHE, cast iron housing, radial insert ball bearing with eccentric locking collar, P seals

X-life

Technical information



Main Dimensions & Performance Data

d	40 mm	Bore diameter
L	135 mm	Length total
M	100 mm	Housing total width
A ₂	36 mm	Width housing
	1,59 kg	Weight

Mounting dimensions

K	M24	Thread fixing bore
K ₁	24 mm	Thread depth

Dimensions

L ₁	85 mm	Distance shaft axis
T	40 mm	Height housing fixing side
W	45 mm	Length of guidance face
Q	M6	Connection thread for lubrication

Additional information

HE08	Housing
GRAE40-XL-NPP-B	Bearing designation

Temperature range

T _{min}	-20 °C	Operating temperature min.
T _{max}	120 °C	Operating temperature max.