



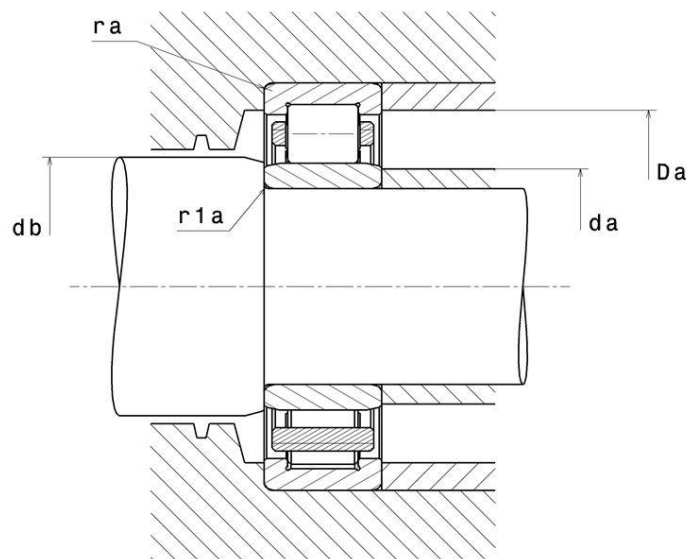
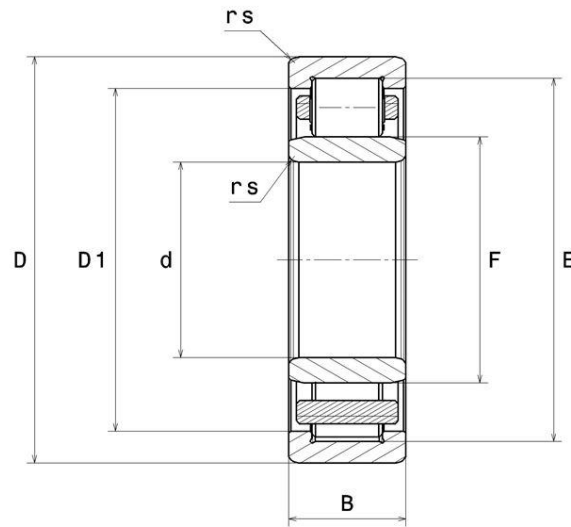
Technical data

NU.2205.E.G15

Single row cylindrical roller bearings

Single row cylindrical roller bearing, floating, separable, polyamide cage

VISUAL (S)



NU.2205.E.G15

Single row cylindrical roller bearings

PRODUCT DEFINITION

Brand	SNR
d - Internal diameter	25 mm
D - External diameter	52 mm
B - Bearing/Inner ring width	18 mm
E - Upper roller diameter	46,5 mm
F - Under roller diameter	31,5 mm
D1 - OR flange inner diameter	43,8 mm
rs - Min fillet radius	1 mm
r1s - Min fillet radius	0,6 mm
Radial clearance class	CN
Mass	0,164 kg

PRODUCT PERFORMANCE

C - Dynamic load	36 kN
C0 - Static load	36 kN
Cu - Fatigue limit load	4,4 kN
Nref - Reference thermal speed	9700 tr/min
Nlim - Mechanical Limit Speed	17000 tr/min
Nlim - Oil lubrication limit speed	14000 tr/min
Nlim - Grease lubrication limit speed	11000 tr/min
Tmin - Min operating temperature	-20 °C
Tmax - Max operating temperature	120 °C

BEARING FREQUENCIES

BPFO - Characteristic outer ring frequency (60 rpm)	5.25 Hz
--	---------

NU.2205.E.G15

Single row cylindrical roller bearings

BEARING FREQUENCIES

BPFI - Characteristic inner ring frequency (60 rpm)	7.75 Hz
FTF - Characteristic cage frequency (60 rpm)	0.404 Hz
BSF - Characteristic rolling element frequency (60 rpm)	5.008 Hz

ABUTMENT

da min - Min shoulder diameter IR	29 mm
da max - Small face shoulder max diameter	31 mm
Da max - Max shoulder diameter OR	47 mm
ra max - Max fillet radius	1 mm
r1a - Max fillet radius	0,6 mm

INDUSTRY CALCUL FACTORS

Equivalent dynamic radial load

$$P = Fr$$

Equivalent static radial load

$$P_0 = Fr$$