



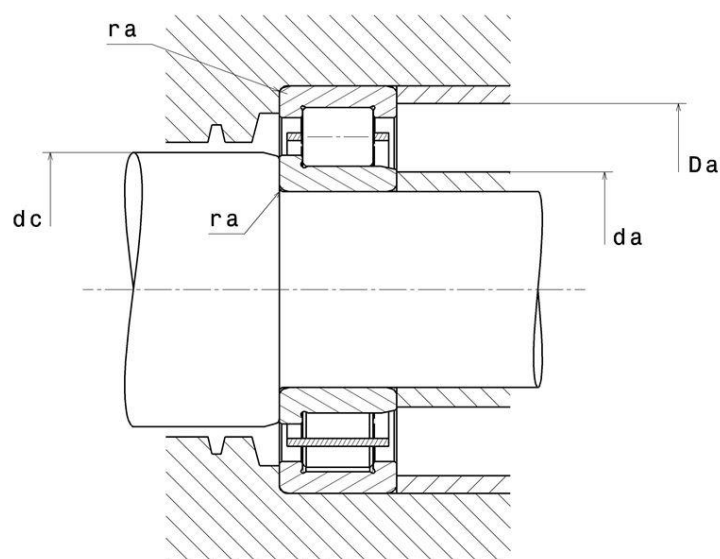
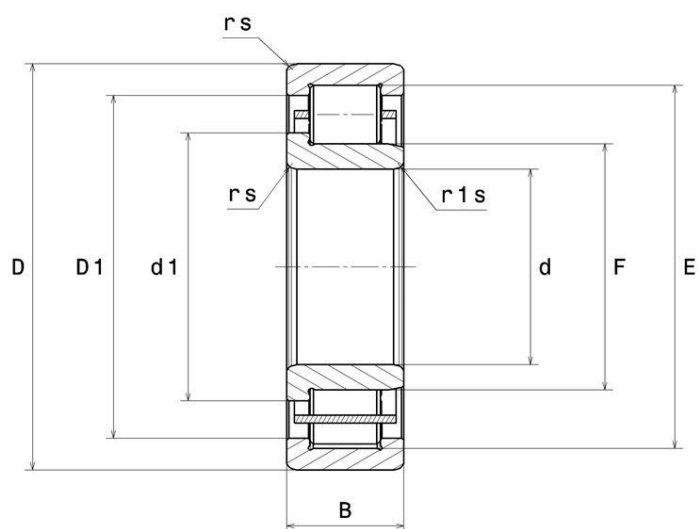
Technical data

NJ2311

Single row cylindrical roller bearings

Single row cylindrical roller bearing, single direction for axial loads, separable, pressed steel cage.

VISUAL (S)



PRODUCT DEFINITION

Brand	NTN
d - Internal diameter	55 mm
D - External diameter	120 mm
B - Bearing/Inner ring width	43 mm
E - Upper roller diameter	104,5 mm
F - Under roller diameter	70,5 mm
d1 - IR flange outer diameter	77,2 mm
rs - Min fillet radius	2 mm
r1s - Min fillet radius	2 mm
Radial clearance class	CN
Mass	2,23 kg

PRODUCT PERFORMANCE

C - Dynamic load	164 kN
C0 - Static load	162 kN
Cu - Fatigue limit load	19,8 kN
Nlim - Oil lubrication limit speed	6100 tr/min
Nlim - Grease lubrication limit speed	5200 tr/min
Tmin - Min operating temperature	-40 °C
Tmax - Max operating temperature	120 °C

ABUTMENT

da min - Min shoulder diameter IR	64 mm
da max - Small face shoulder max diameter	69 mm
dc min - Min inner ring GO diameter	80 mm

NJ2311

Single row cylindrical roller bearings

ABUTMENT

Da max - Max shoulder diameter OR	111 mm
ra max - Max fillet radius	2 mm

INDUSTRY CALCUL FACTORS

Equivalent dynamic radial load

$$P = Fr$$

Equivalent static radial load

$$P_0 = Fr$$