



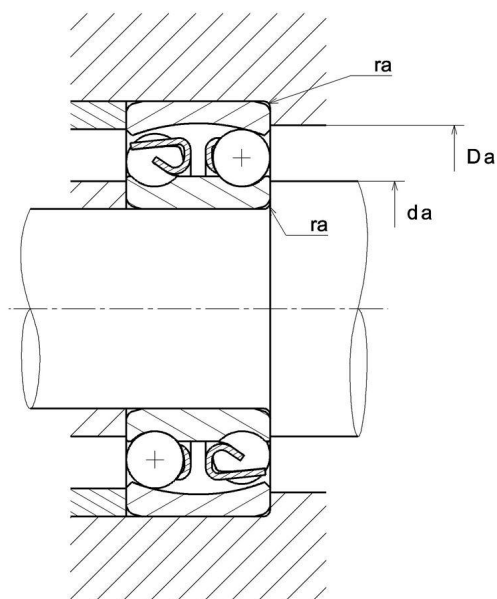
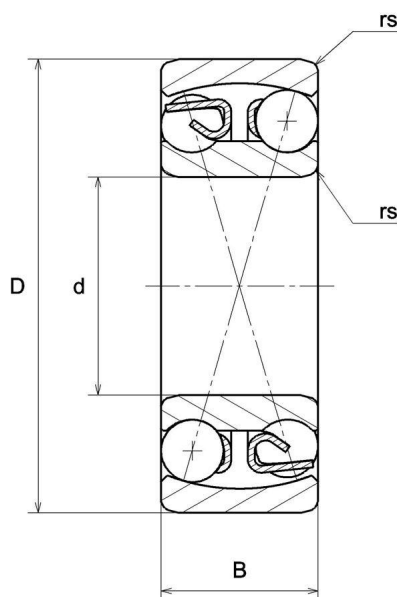
## Technical data

2207S

Double-row self-aligning ball bearings

Self-aligning ball bearing, pressed steel cage, open

### VISUAL (S)



# 2207S

## Double-row self-aligning ball bearings

### PRODUCT DEFINITION

<b>Brand</b>	NTN
<b>d - Internal diameter</b>	35 mm
<b>D - External diameter</b>	72 mm
<b>B - Bearing/Inner ring width</b>	23 mm
<b>rs - Min fillet radius</b>	1,1 mm
<b>Radial clearance class</b>	CN
<b>Precision class</b>	P0
<b>Mass</b>	0,403 kg

### PRODUCT PERFORMANCE

<b>C - Dynamic load</b>	21,7 kN
<b>C0 - Static load</b>	6,6 kN
<b>Cu - Fatigue limit load</b>	0,32 kN
<b>e - Coefficient</b>	0.37
<b>Y0 - Static axial load coefficient</b>	1.8
<b>Y1 - Lower axial load coefficient</b>	1.7
<b>Y2 - Upper axial load coefficient</b>	2.6
<b>Nlim - Oil lubrication limit speed</b>	10000 tr/min
<b>Nlim - Grease lubrication limit speed</b>	8500 tr/min
<b>Tmin - Min operating temperature</b>	-20 °C
<b>Tmax - Max operating temperature</b>	120 °C

### ABUTMENT

<b>da min - Min shoulder diameter IR</b>	41,5 mm
<b>Da max - Max shoulder diameter OR</b>	65,5 mm

# 2207S

Double-row self-aligning ball bearings

## ABUTMENT

**ra max - Max shaft & housing fillet radius**

1 mm