



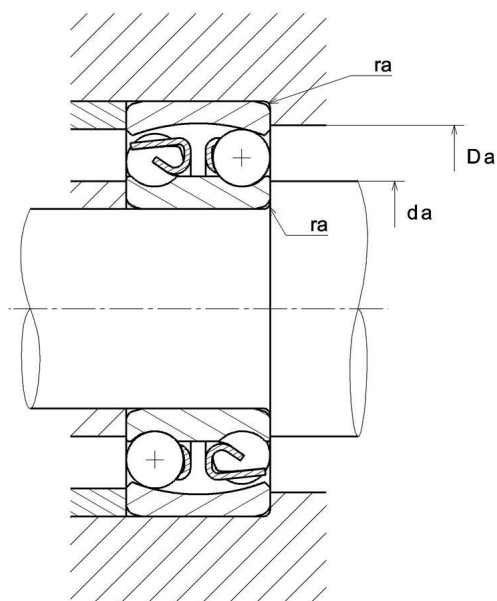
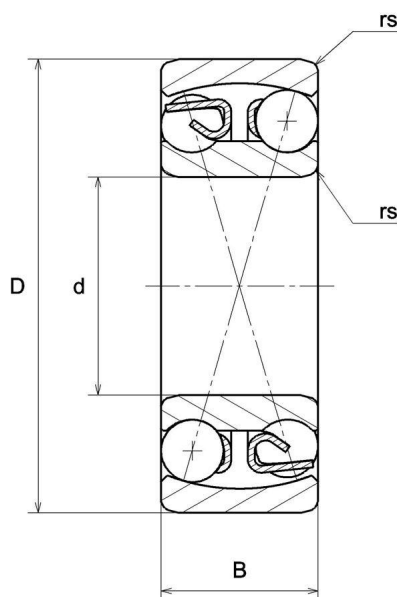
Technical data

1202S

Double-row self-aligning ball bearings

Self-aligning ball bearing, pressed steel cage, open

VISUAL (S)



1202S

Double-row self-aligning ball bearings

PRODUCT DEFINITION

Brand	NTN
d - Internal diameter	15 mm
D - External diameter	35 mm
B - Bearing/Inner ring width	11 mm
rs - Min fillet radius	0,6 mm
Radial clearance class	CN
Precision class	P0
Mass	0,05 kg

PRODUCT PERFORMANCE

C - Dynamic load	7,6 kN
C0 - Static load	1,75 kN
Cu - Fatigue limit load	0,072 kN
e - Coefficient	0.32
Y0 - Static axial load coefficient	2.1
Y1 - Lower axial load coefficient	2
Y2 - Upper axial load coefficient	3.1
Nlim - Oil lubrication limit speed	22000 tr/min
Nlim - Grease lubrication limit speed	18000 tr/min
Tmin - Min operating temperature	-20 °C
Tmax - Max operating temperature	120 °C

ABUTMENT

da min - Min shoulder diameter IR	19 mm
Da max - Max shoulder diameter OR	31 mm

1202S

Double-row self-aligning ball bearings

ABUTMENT

ra max - Max shaft & housing fillet radius

0,6 mm