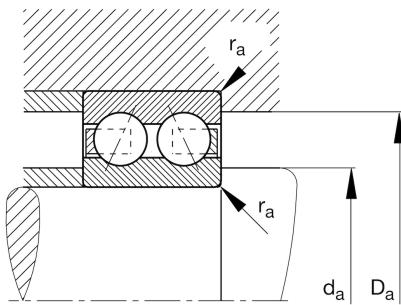
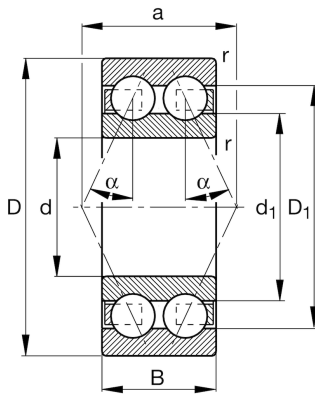


**FAG****3212-BD-XL**

Angular contact ball bearing

Schaeffler ID:  
0709562860000Angular contact ball bearing 32..-BD-XL,  
double row, X-life, steel sheet metal cage**X-life**

## Technical information

**Main Dimensions & Performance Data**

d	60 mm	Bore diameter
D	110 mm	Outside diameter
B	36,5 mm	Width
$C_r$	75.000 N	Basic dynamic load rating, radial
$C_{0r}$	64.000 N	Basic static load rating, radial
$C_{ur}$	4.400 N	Fatigue load limit, radial
$n_G$	6.300 1/min	Limiting speed
$n_{gr}$	6.700 1/min	Reference speed
	1,28 kg	Weight

**Mounting dimensions**

$d_{a \min}$	69 mm	Minimum diameter shaft shoulder
$D_{a \max}$	101 mm	Maximum diameter of housing shoulder
$r_{a \max}$	1,5 mm	Maximum fillet radius

**Dimensions**

$r_{\min}$	1,5 mm	Minimum chamfer dimension
$D_1$	97 mm	Shoulder diameter outer ring
$d_1$	78,9 mm	Shoulder diameter inner ring
a	65 mm	Distance between the apexes of the pressure cones
$\alpha$	30 °	Contact angle

**Temperature range**

$T_{\min}$	-30 °C	Operating temperature min.
$T_{\max}$	150 °C	Operating temperature max.