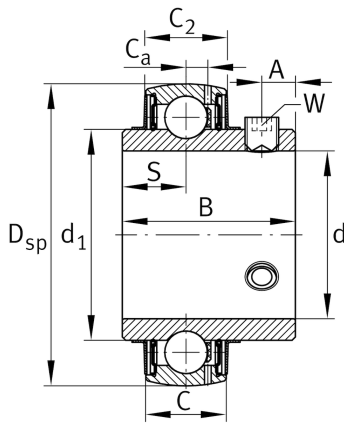


**FAG****UC212-39**

Radial insert ball bearing

Schaeffler ID:
0702990800000Radial insert ball bearings UC, spherical
outer ring, location by grub screws, RSR
seals on both sides

Technical information

**Main Dimensions & Performance Data**

d	61,913 mm	Bore diameter
d	61,912 mm	Bore diameter, inch
D _{SP}	110 mm	Outside diameter
B	65,1 mm	Width
C _r	56.000 N	Basic dynamic load rating, radial
C _{0r}	36.000 N	Basic static load rating, radial
C _{ur}	1.530 N	Fatigue load limit, radial
	1,4 kg	Weight

Dimensions

C	27 mm	Width, outer ring
C ₂	27,6 mm	Sealing total width
S	25,4 mm	Distance raceway
d ₁	76,48 mm	Rib diameter inner ring
C _a	7,4 mm	Distance to lubrication hole
A	10 mm	Distance thread

Calculation factors

f ₀	14,3	Calculation factor
----------------	------	--------------------