



RSHEY40-XL-N

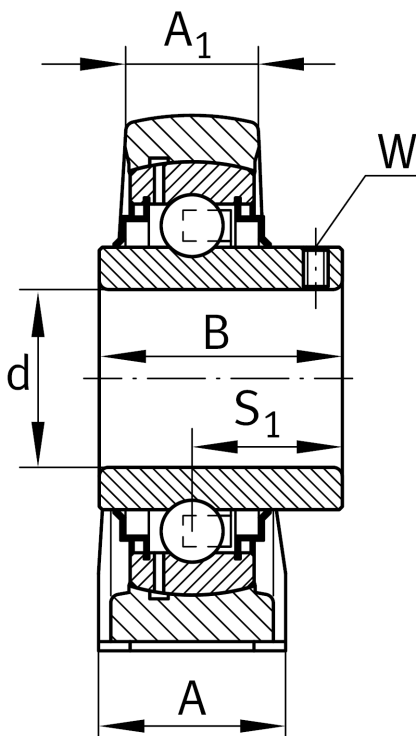
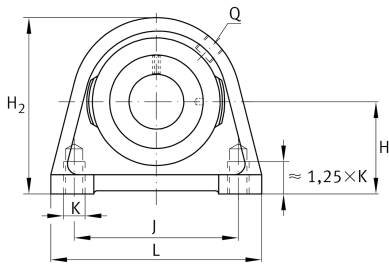
Plummer block housing unit

Schaeffler ID:
0946876250000

Plummer block housing units RSHEY, cast iron housing, radial insert ball bearing with grub screws in inner ring, R seals

X-life

Technical information



Main Dimensions & Performance Data

d	40 mm	Bore diameter
L	116 mm	Length total
H ₂	99 mm	Height
	1,53 kg	Weight

Mounting dimensions

J	88,9 mm	Distance fixing bore
K	M12	Thread fixing bore

Dimensions

H	49,2 mm	Distance shaft axis
A	48 mm	Width (base)
A ₁	30 mm	Width (head)
Q	M6	Connection thread for lubrication
B	49,2 mm	Width of inner ring
S ₁	30,2 mm	Distance of raceway to locking collar

Additional information

SHE08	Housing
GYE40-XL-KRR-B	Bearing designation
KASK08	Protecting cap

Temperature range

T _{min}	-20 °C	Operating temperature min.
T _{max}	120 °C	Operating temperature max.