



FAG

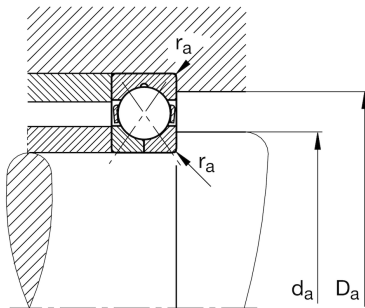
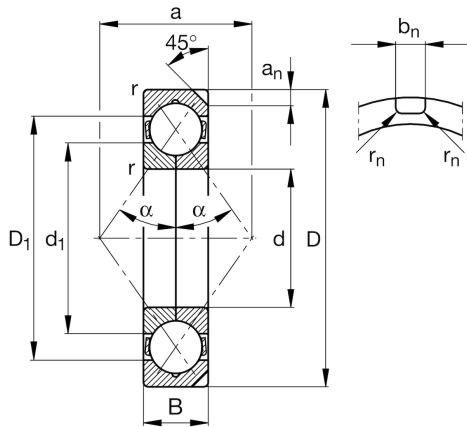
## QJ218-XL-N2-MPA

Four-point contact bearing

Schaeffler ID:  
0192610120000Four point contact bearing QJ2..-XL-N2-  
MPA, X-life, holding grooves, solid brass  
cage

X-life

## Technical information



## Main Dimensions &amp; Performance Data

d	90 mm	Bore diameter
D	160 mm	Outside diameter
B	30 mm	Width
$C_r$	181.000 N	Basic dynamic load rating, radial
$C_{0r}$	185.000 N	Basic static load rating, radial
$C_{ur}$	12.100 N	Fatigue load limit, radial
$n_G$	8.200 1/min	Limiting speed
$n_{gr}$	3.850 1/min	Reference speed
	2,726 kg	{Weight}

## Mounting dimensions

$d_{a \min}$	101 mm	Minimum diameter shaft shoulder
$D_{a \max}$	149 mm	Maximum diameter of housing shoulder
$r_{a \max}$	2 mm	Maximum fillet radius

## Dimensions

$r_{\min}$	2 mm	Minimum chamfer dimension
$D_1$	136,1 mm	Shoulder diameter outer ring
$d_1$	114,3 mm	Shoulder diameter inner ring
a	88 mm	Distance between the apexes of the pressure cones
$a_n$	8,1 mm	Height retaining slot
$b_n$	6,5 mm	Width retaining slot
$r_n$	1 mm	Radius retaining slot
	45 °	Angle retaining slot
$\alpha$	35 °	Contact angle

## Temperature range

$T_{\min}$	-30 °C	Operating temperature min.
$T_{\max}$	150 °C	Operating temperature max.