



## Technical data

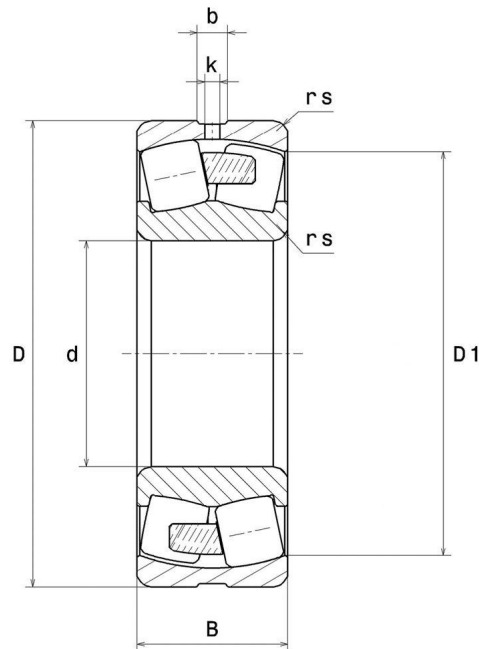
23026EMW33

Spherical roller bearings

Spherical roller bearing, one-piece machined cage, groove and lubrication holes on outer ring

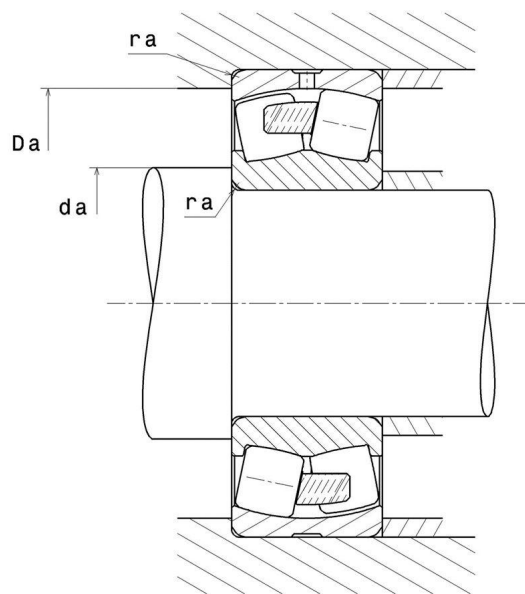
**ULTAGE**

### VISUAL (S)



# 23026EMW33

## Spherical roller bearings



### PRODUCT DEFINITION

<b>Brand</b>	SNR
<b>d - Internal diameter</b>	130 mm
<b>D - External diameter</b>	200 mm
<b>B - Bearing/Inner ring width</b>	52 mm
<b>D1 - Inner diameter outer ring</b>	182,6 mm
<b>rs - Min fillet radius</b>	2 mm
<b>Number of lubrication holes</b>	3
<b>b - Groove width</b>	8,91 mm
<b>k - Hole diameter</b>	4 mm
<b>Radial clearance class</b>	CN
<b>Mass</b>	5,87 kg

### PRODUCT PERFORMANCE

<b>C - Dynamic load</b>	565 kN
-------------------------	--------

### PRODUCT PERFORMANCE

<b>C0 - Static load</b>	721 kN
<b>Cu - Fatigue limit load</b>	75,3 kN
<b>e - Coefficient</b>	0.22
<b>Y0 - Static axial load coefficient</b>	2.94
<b>Y1 - Lower axial load coefficient</b>	3.01
<b>Y2 - Upper axial load coefficient</b>	4.48
<b>Nref - Reference thermal speed</b>	3000 tr/min
<b>Nlim - Mechanical Limit Speed</b>	3600 tr/min
<b>Tmin - Min operating temperature</b>	-40 °C
<b>Tmax - Max operating temperature</b>	200 °C

### BEARING FREQUENCIES

<b>BPFO - Characteristic outer ring frequency (60 rpm)</b>	10.618 Hz
<b>BPFI - Characteristic inner ring frequency (60 rpm)</b>	13.383 Hz
<b>FTF - Characteristic cage frequency (60 rpm)</b>	0.442 Hz
<b>BSF - Characteristic rolling element frequency (60 rpm)</b>	8.471 Hz

### ABUTMENT

<b>da max - Max shoulder diameter IR</b>	0 mm
<b>da min - Min shoulder diameter IR</b>	138,8 mm
<b>Da max - Max shoulder diameter OR</b>	191,2 mm
<b>ra max - Max shaft &amp; housing fillet radius</b>	2 mm

**INDUSTRY CALCUL FACTORS**

**Equivalent dynamic radial load**

$P = X.F_r + Y.F_a$

Fa / Fr ≤ e		Fa / Fr > e	
X	Y	X	Y
1	Y1	0.67	Y2

**Equivalent static radial load**

$P_o = X_o.F_r + Y_o.F_a$

X <sub>o</sub>	Y <sub>o</sub>
1	Y0

The values for e, Y1, Y2 and Y0 are shown in the above table .