



PBY30-XL

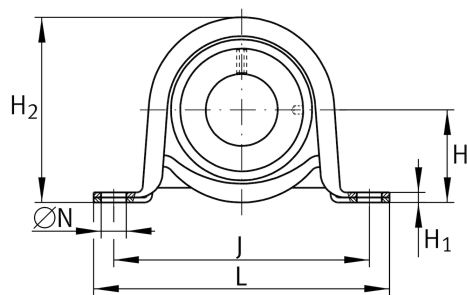
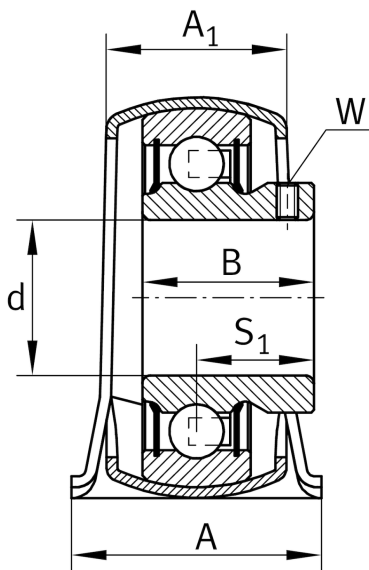
Plummer block housing unit

Schaeffler ID:
0008604330000

Plummer block housing unit PBY..-XL,
RIBB sheet metal PB

X-life

Technical information



Main Dimensions & Performance Data

d	30 mm	Bore diameter
L	117,5 mm	Length total
H ₂	66,1 mm	Height
C _{0rG}	2.700 N	Load carrying capacity (housing)
C _r	19.500 N	Basic dynamic load rating, radial
C _{0r}	11.300 N	Basic static load rating, radial
	0,39 kg	{Weight}

Mounting dimensions

J	95 mm	Distance fixing bore
N	11,5 mm	Fixing bore

Dimensions

H	33,3 mm	Distance shaft axis
A	38 mm	Width (base)
A ₁	26,5 mm	Width (head)
H ₁	4 mm	Height (base)

Additional information

f ₀	13,8	Calculation factor
----------------	------	--------------------

Additional information

GEH62-BT	Housing
AY30-XL-NPP-B	Bearing designation

Temperature range

T _{min}	-20 °C	Operating temperature min.
T _{max}	120 °C	Operating temperature max.