

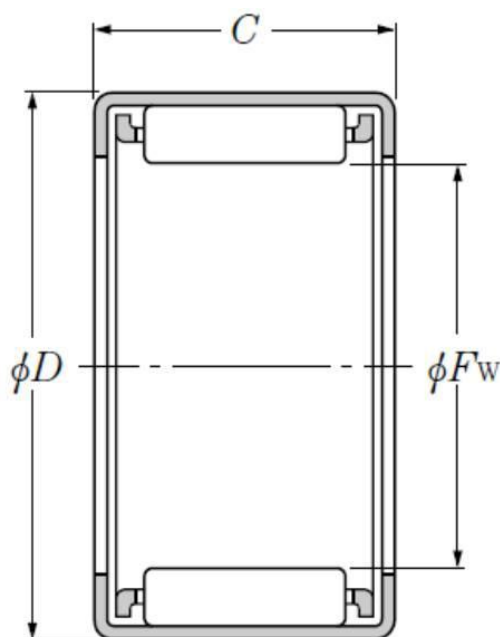
Technical data

HMK0815

Drawn cup needle roller bearings, opened end

Needle roller bearing, drawn cup, open end, heavy load

VISUAL (S)



PRODUCT DEFINITION

Brand	NTN
Fw - Under rollers diameter	8 mm
D - External diameter	15 mm
C - Width of bearing, drawn cup or outer ring	15 mm
Lubrication hole on outer ring	No
Inner ring reference	IR5X8X16
Mass	0,01 kg

PRODUCT PERFORMANCE

HMK0815

Drawn cup needle roller bearings, opened end

PRODUCT PERFORMANCE

Cr - Dynamic load rating	6,6 kN
C0r - Static load rating	5,8 kN
Nlim - Grease lubrication limit speed	20000 tr/min
Nlim - Oil lubrication limit speed	30000 tr/min
Tmin - Min operating temperature	-20 °C
Tmax - Max operating temperature	120 °C