



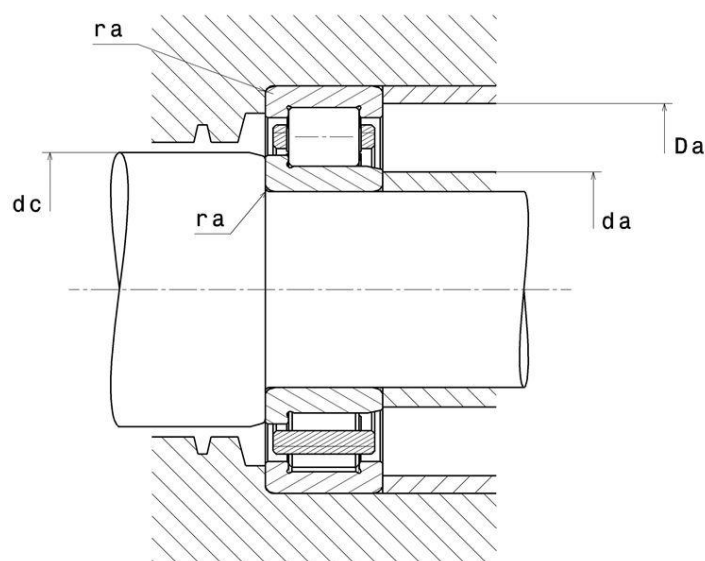
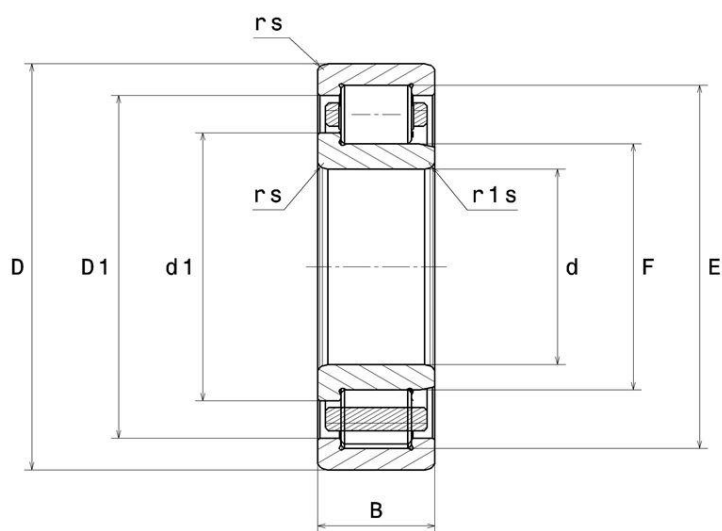
Technical data

NJ2307EG15J30

Single row cylindrical roller bearings

Single row cylindrical roller bearing, single direction for axial loads, separable, polyamide cage.

VISUAL (S)



NJ2307EG15J30

Single row cylindrical roller bearings

PRODUCT DEFINITION

Brand	SNR
d - Internal diameter	35 mm
D - External diameter	80 mm
B - Bearing/Inner ring width	31 mm
E - Upper roller diameter	70,2 mm
F - Under roller diameter	46,2 mm
d1 - IR flange outer diameter	51 mm
D1 - OR flange inner diameter	66,6 mm
rs - Min fillet radius	1,5 mm
r1s - Min fillet radius	1,1 mm
Radial clearance class	C3
Mass	0,72 kg

PRODUCT PERFORMANCE

C - Dynamic load	93,8 kN
C0 - Static load	102 kN
Cu - Fatigue limit load	12,4 kN
Nref - Reference thermal speed	6600 tr/min
Nlim - Mechanical Limit Speed	11000 tr/min
Nlim - Oil lubrication limit speed	8600 tr/min
Nlim - Grease lubrication limit speed	6900 tr/min
Tmin - Min operating temperature	-20 °C
Tmax - Max operating temperature	120 °C

NJ2307EG15J30

Single row cylindrical roller bearings

BEARING FREQUENCIES

BPFO - Characteristic outer ring frequency (60 rpm)	4.763 Hz
BPFI - Characteristic inner ring frequency (60 rpm)	7.237 Hz
FTF - Characteristic cage frequency (60 rpm)	0.397 Hz
BSF - Characteristic rolling element frequency (60 rpm)	4.644 Hz

ABUTMENT

da min - Min shoulder diameter IR	43 mm
da max - Small face shoulder max diameter	45 mm
db min - Min inner ring GO diameter	48 mm
dc min - Min inner ring GO diameter	53 mm
Da max - Max shoulder diameter OR	72 mm
ra max - Max fillet radius	1,5 mm
r1a - Max fillet radius	1 mm

INDUSTRY CALCUL FACTORS

Equivalent dynamic radial load

$$P = Fr$$

Equivalent static radial load

$$P_0 = Fr$$