



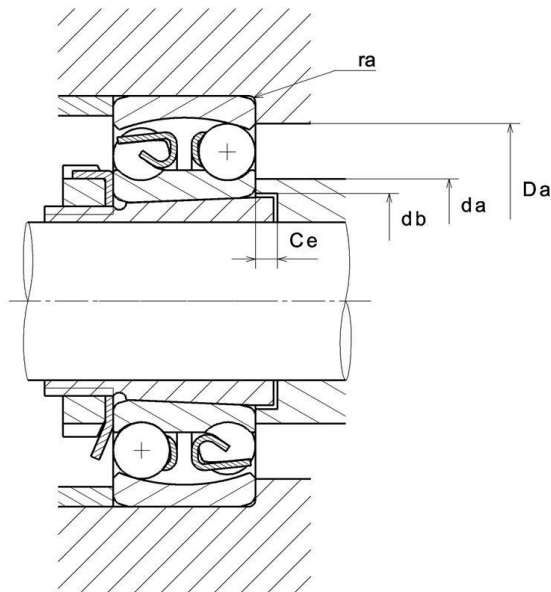
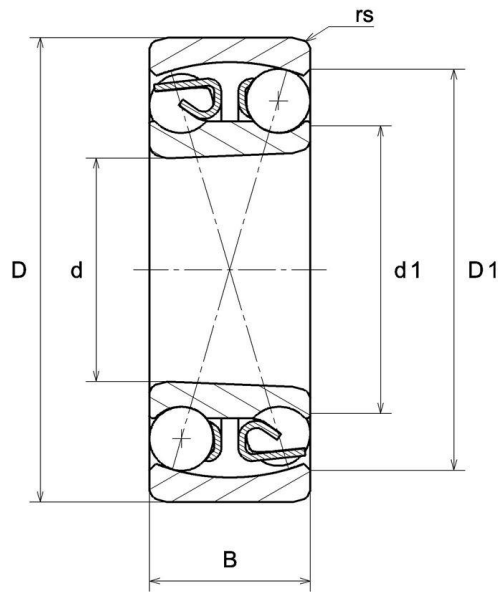
**Technical data**

**1315KC3**

Double-row self-aligning ball bearings

Self-aligning ball bearing, pressed steel cage, tapered bore, open

**VISUAL (S)**



# 1315KC3

Double-row self-aligning ball bearings

## PRODUCT DEFINITION

<b>Brand</b>	SNR
<b>d - Internal diameter</b>	75 mm
<b>D - External diameter</b>	160 mm
<b>B - Bearing/Inner ring width</b>	37 mm
<b>d1 - External diameter inner ring</b>	105 mm
<b>D1 - Inner diameter outer ring</b>	134,2 mm
<b>rs - Min fillet radius</b>	2,1 mm
<b>Associated sleeve reference</b>	H315
<b>Radial clearance class</b>	C3
<b>Precision class</b>	P0
<b>Mass</b>	3,517 kg

## PRODUCT PERFORMANCE

<b>C - Dynamic load</b>	78 kN
<b>C0 - Static load</b>	30 kN
<b>Cu - Fatigue limit load</b>	1,25 kN
<b>e - Coefficient</b>	0.22
<b>Y0 - Static axial load coefficient</b>	2.97
<b>Y1 - Lower axial load coefficient</b>	2.84
<b>Y2 - Upper axial load coefficient</b>	4.39
<b>Nref - Reference thermal speed</b>	4800 tr/min
<b>Nlim - Mechanical Limit Speed</b>	5600 tr/min
<b>Tmin - Min operating temperature</b>	-40 °C
<b>Tmax - Max operating temperature</b>	120 °C

# 1315KC3

Double-row self-aligning ball bearings

## BEARING FREQUENCIES

<b>BPFO - Characteristic outer ring frequency (60 rpm)</b>	6.732 Hz
<b>BPFI - Characteristic inner ring frequency (60 rpm)</b>	9.268 Hz
<b>FTF - Characteristic cage frequency (60 rpm)</b>	0.421 Hz
<b>BSF - Characteristic rolling element frequency (60 rpm)</b>	6.084 Hz

## ABUTMENT

<b>da min - Min shoulder diameter IR</b>	86 mm
<b>da max - Max shoulder diameter IR</b>	102 mm
<b>db - Min diameter for Sleeve</b>	80 mm
<b>Ce - Min length fro Sleeve</b>	5 mm
<b>Da max - Max shoulder diameter OR</b>	149 mm
<b>ra max - Max shaft &amp; housing fillet radius</b>	2 mm