



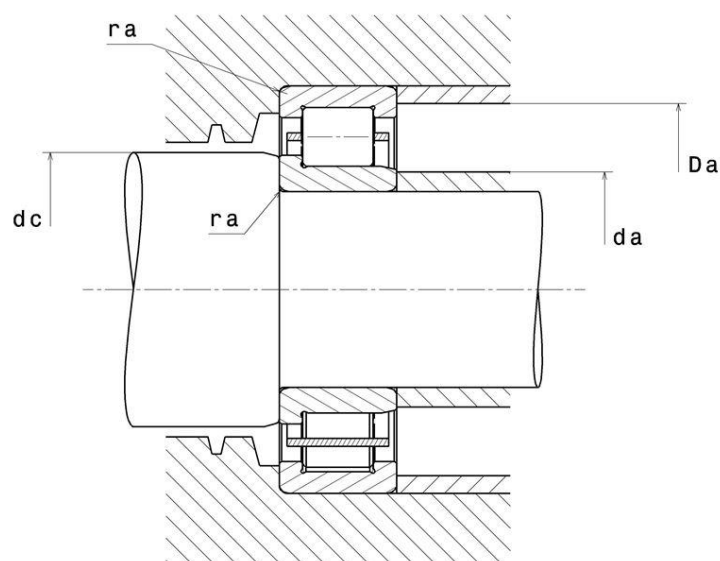
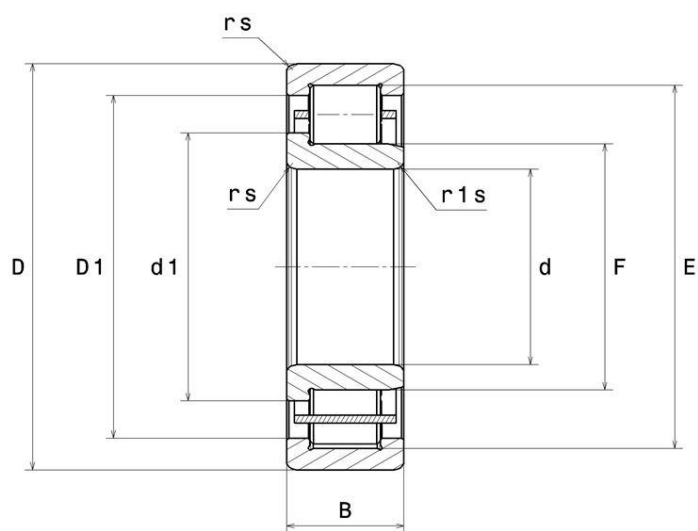
## Technical data

### NJ214

Single row cylindrical roller bearings

Single row cylindrical roller bearing, single direction for axial loads, separable, pressed steel cage.

#### VISUAL (S)



### PRODUCT DEFINITION

<b>Brand</b>	NTN
<b>d - Internal diameter</b>	70 mm
<b>D - External diameter</b>	125 mm
<b>B - Bearing/Inner ring width</b>	24 mm
<b>E - Upper roller diameter</b>	110,5 mm
<b>F - Under roller diameter</b>	84,5 mm
<b>d1 - IR flange outer diameter</b>	89,6 mm
<b>rs - Min fillet radius</b>	1,5 mm
<b>r1s - Min fillet radius</b>	1,5 mm
<b>Radial clearance class</b>	CN
<b>Mass</b>	1,195 kg

### PRODUCT PERFORMANCE

<b>C - Dynamic load</b>	92,5 kN
<b>C0 - Static load</b>	95 kN
<b>Cu - Fatigue limit load</b>	11,6 kN
<b>Nlim - Oil lubrication limit speed</b>	6500 tr/min
<b>Nlim - Grease lubrication limit speed</b>	5500 tr/min
<b>Tmin - Min operating temperature</b>	-40 °C
<b>Tmax - Max operating temperature</b>	120 °C

### ABUTMENT

<b>da min - Min shoulder diameter IR</b>	78 mm
<b>da max - Small face shoulder max diameter</b>	82 mm
<b>dc min - Min inner ring GO diameter</b>	92 mm

### ABUTMENT

<b>Da max - Max shoulder diameter OR</b>	117 mm
<b>ra max - Max fillet radius</b>	1,5 mm

### INDUSTRY CALCUL FACTORS

Equivalent dynamic radial load

$$P = Fr$$

Equivalent static radial load

$$P_0 = Fr$$