**FAG****53211**

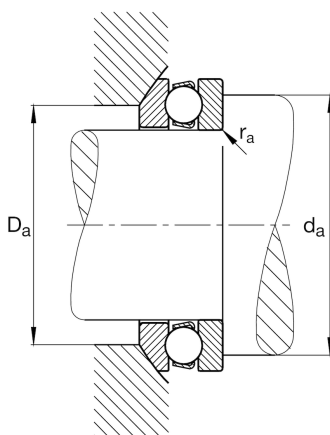
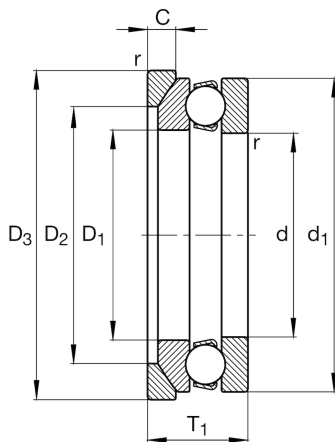
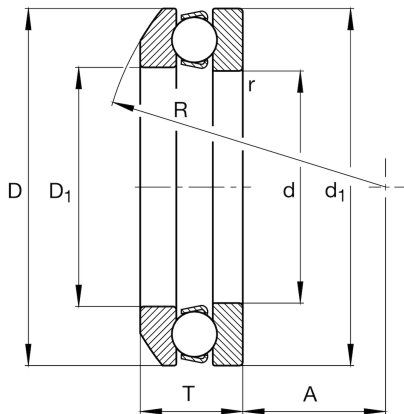
Axial deep groove ball bearing

Schaeffler ID:
0167158370000

Axial deep groove ball bearing 532, single direction, with spherical housing washer, steel sheet metal cage

Technical information

Main Dimensions & Performance Data



d	55 mm	Inner diameter shaft washer
D	90 mm	Outer diameter housing washer
T	27,3 mm	Height
C_a	58.000 N	Basic dynamic load rating, axial
C_{0a}	133.000 N	Basic static load rating, axial
C_{ua}	6.000 N	Fatigue load limit, axial
n_G	4.350 1/min	Limiting speed
n_{gr}	5.700 1/min	Reference speed
	0,589 kg	Weight

Mounting dimensions

$d_{a \min}$	76 mm	Minimum diameter shaft shoulder
$D_{a \max}$	72 mm	Maximum diameter of housing shoulder
$r_{a \max}$	1 mm	Maximum filled radius

Dimensions

r_{\min}	1 mm	Minimum chamfer dimension
d_1	90 mm	Outer diameter shaft washer
A	35 mm	Distance of the center point
T_1	30 mm	Height with seat washer

Temperature range

T_{\min}	-30 °C	Operating temperature min.
T_{\max}	150 °C	Operating temperature max.

Calculation factors

A	0,11	Minimum load factor
---	------	---------------------

Additional information

U211

Seat washer

