

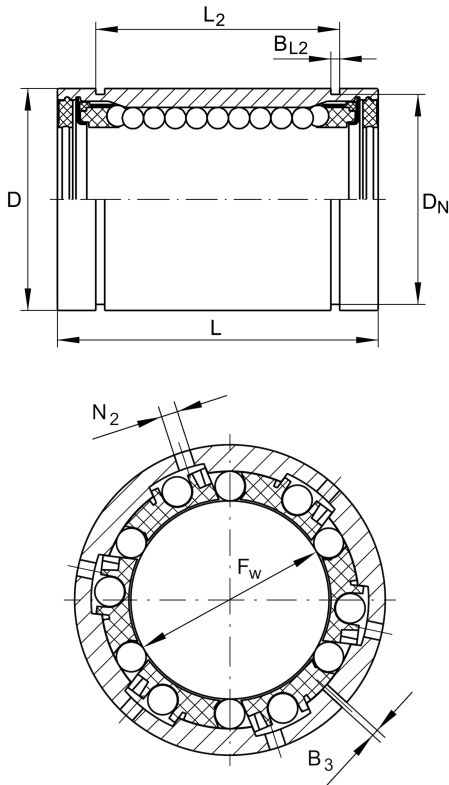
KBS40-PP-AS

Linear ball bearing

Schaeffler ID:
0015246580000

Linear ball bearings KBS...PP-AS, machined range, adjustable, sealed on all sides, with relubrication facility, corrosion-resistant design possible

Technical information



Main Dimensions & Performance Data

F_w	40 mm	Bore diameter of ball complement
D	62 mm	Outside diameter
L	80 mm	length
	h12	Tolerance
C_{min}	6.000 N	load capacity dyn.
$C_{0 min}$	4.400 N	load capacity stat.
C_{max}	6.400 N	load capacity dyn.
$C_{0 max}$	5.600 N	load capacity stat.
	0,596 kg	Weight

Mounting dimensions

L_2	60,3 mm	
	H13	Tolerance
B_{L2}	2,15 mm	
B_3	1 mm	
D_N	59 mm	
N_2	3 mm	
X	64 °	
	6	Number of rows balls