



Technical data

UCF318

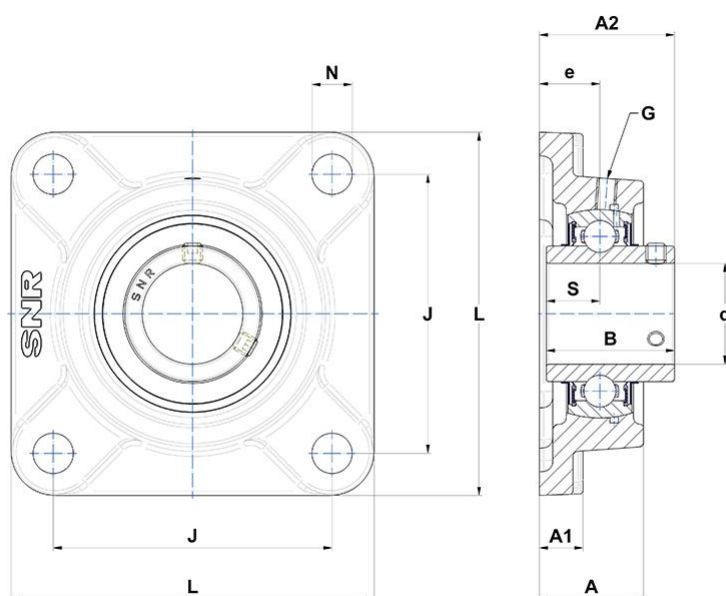
Bearing units

Grey cast housing, radial insert ball bearing with socket set screws, seal with slinger

KIT CONTENT

UC318G2, F318

VISUAL (S)



PRODUCT DEFINITION

A - Housing height	76 mm
A1 - Housing foot height / flange height	30 mm
A2 - Total height from mounting surface	100 mm
B - Width of Inner Ring	96 mm
d - Shaft diameter	90 mm
e - Distance mounting surface to bearing center	44 mm

PRODUCT DEFINITION

G - Grease fitting	M10x1
J - Mounting holes distance	216 mm
L - Housing width / diameter	280 mm
N - Mounting hole dimension	35 mm
S - Dist. cent. of raceway to face IR on side opp. lock. device	40 mm
Brand	SNR

PRODUCT PERFORMANCE

C - Dynamic load rating	143 kN
C0 - Static load rating	108 kN
Operating temperature min.	-20 °C
Operating temperature max.	100 °C

OTHER FEATURES

Mass	17,93 kg
Recommended tightening torque for set screw	64 N-m