

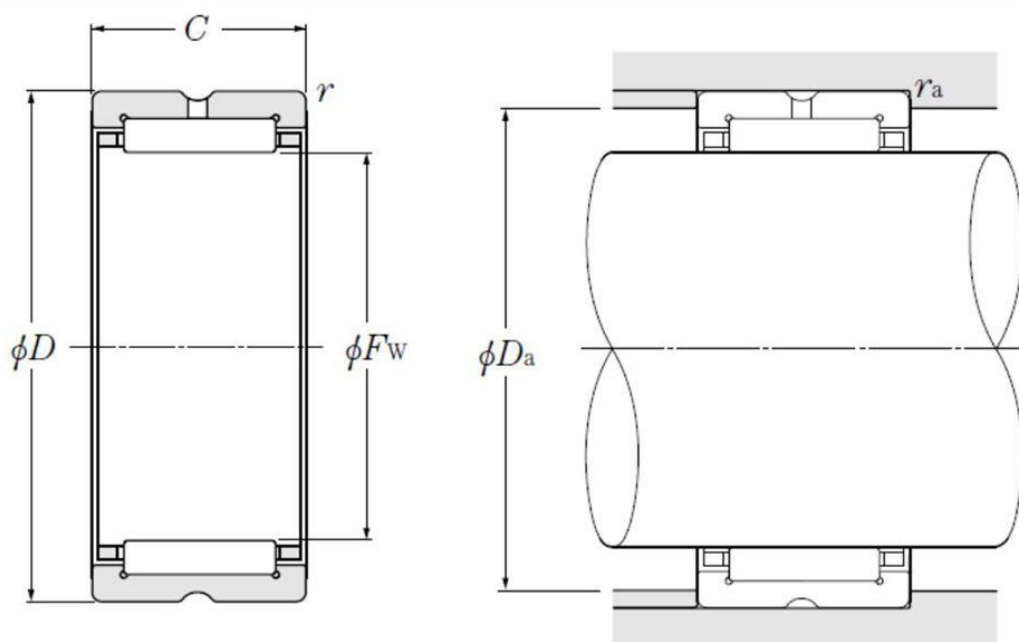
Technical data

NK100/36R

Needle roller bearing, machined-ring, without inner ring

Needle roller bearing, machined-ring, without inner ring, double-side ribs, lubrication hole

VISUAL (S)



PRODUCT DEFINITION

Brand	NTN
Fw - Under rollers diameter	100 mm
D - External diameter	120 mm
C - Width of bearing, drawn cup or outer ring	36 mm
rs - Min fillet radius	1 mm
Lubrication hole on outer ring	Yes
k - Hole diameter	3,5 mm
Radial clearance class	CN

NK100/36R

Needle roller bearing, machined-ring, without inner ring

PRODUCT DEFINITION

Precision class	P0
Mass	0,679 kg

PRODUCT PERFORMANCE

Cr - Dynamic load rating	107 kN
C0r - Static load rating	223 kN
Nlim - Grease lubrication limit speed	2700 tr/min
Nlim - Oil lubrication limit speed	4000 tr/min
Tmin - Min operating temperature	-20 °C
Tmax - Max operating temperature	120 °C

ABUTMENT

Da max - Max shoulder diameter OR	115 mm
ras max - Max shaft & housing fillet radius	1 mm